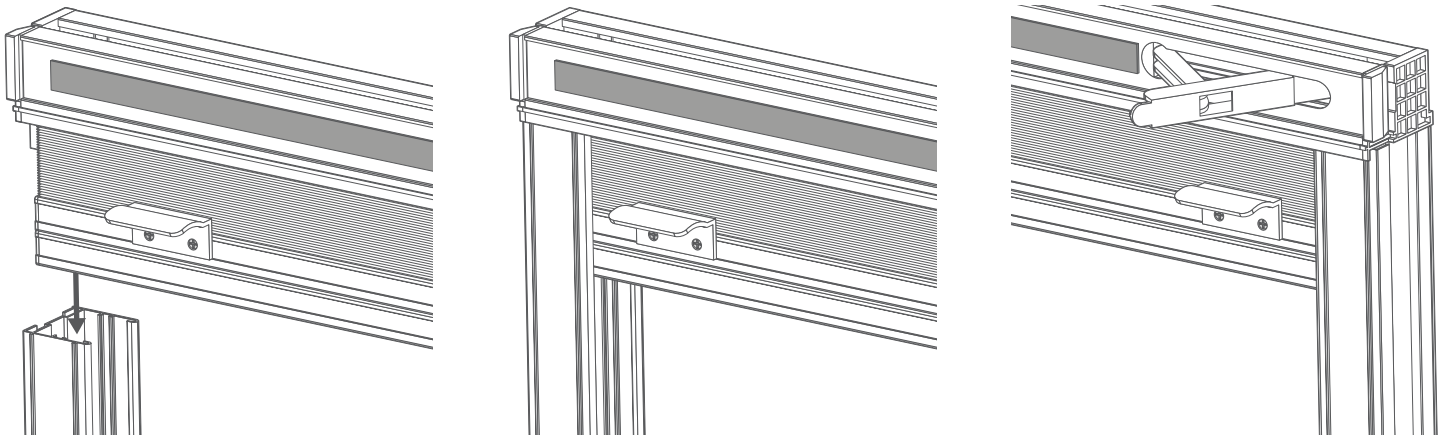
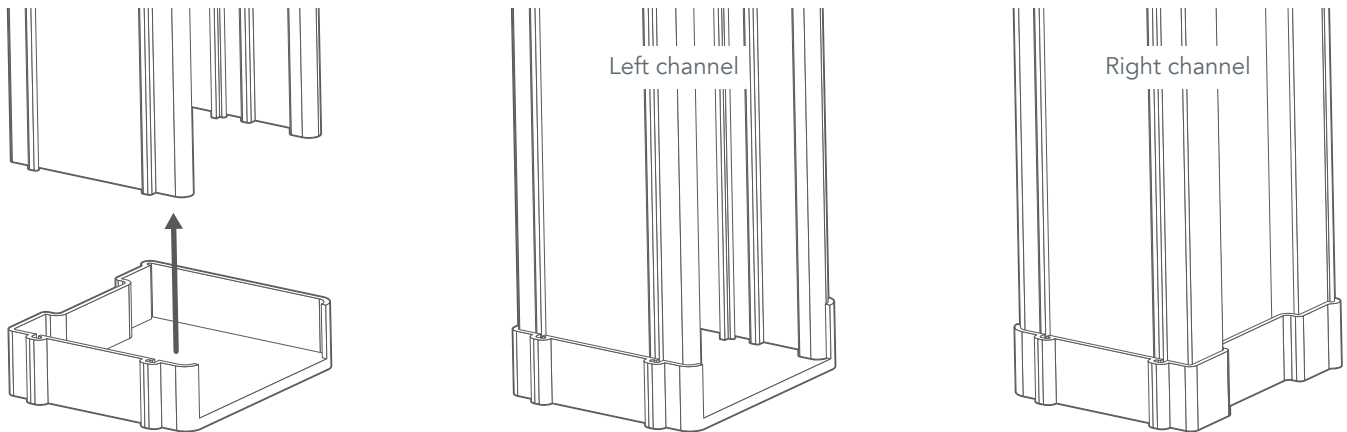


Attach the side channels

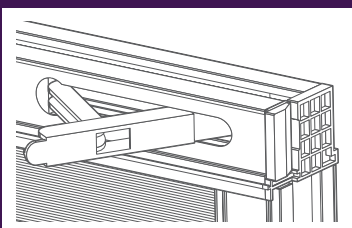
1



Slot the side channels onto the caps at either end of the blind, so that the blind runs down the insides of the channels.



Slot the rubber caps onto the bottoms of the side channels.

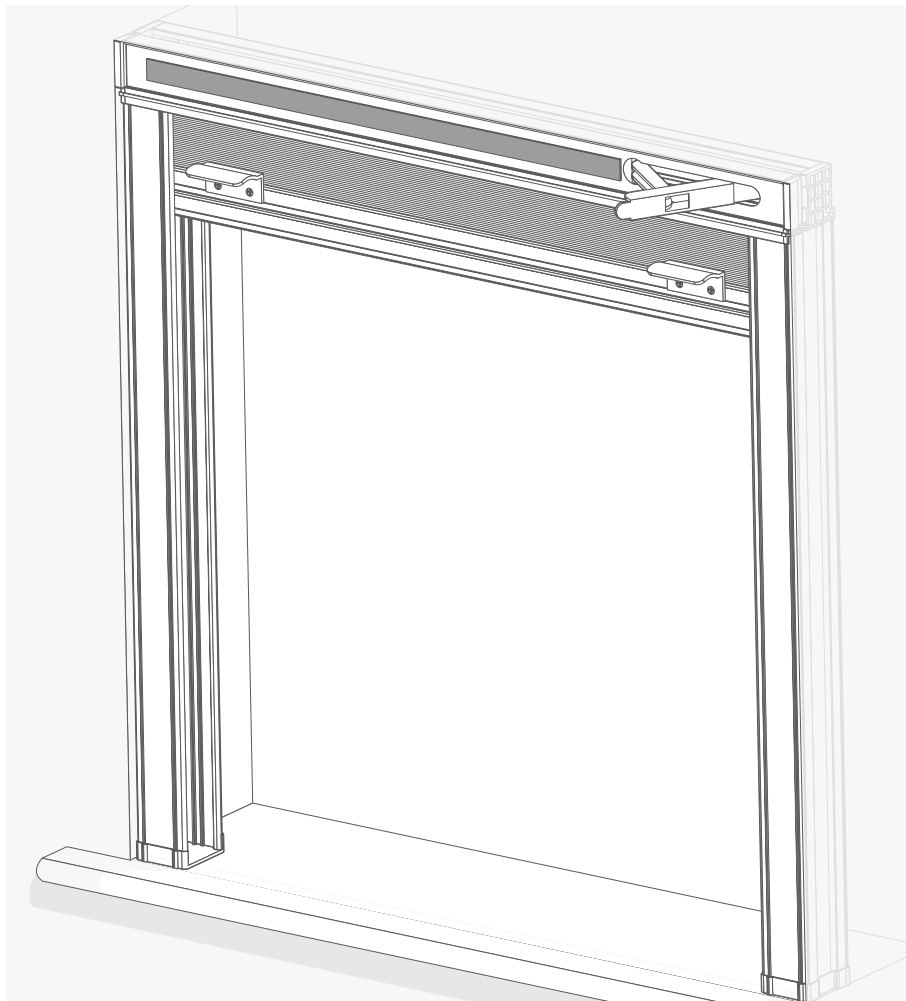


Top Tip

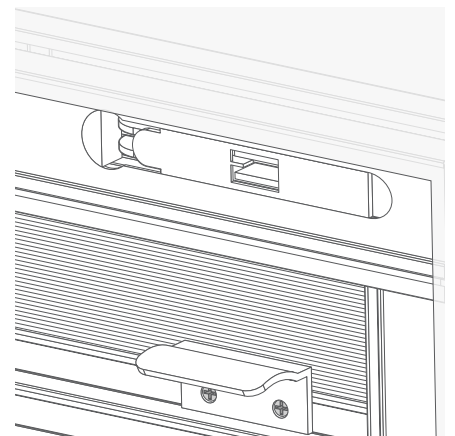
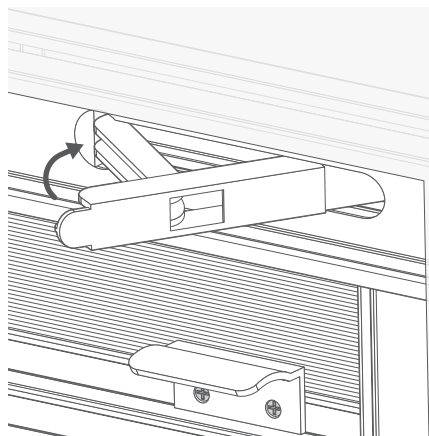
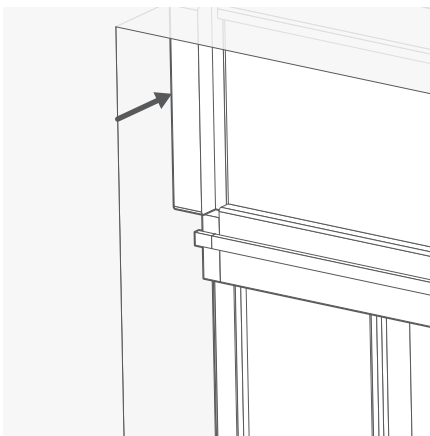
Ensure that the locking lever arm is loose, and the grip pad at the end of the headrail is flush with the rail, before moving on to the next step.

Fit the blind into the recess

2



Raise the blind into the window recess.

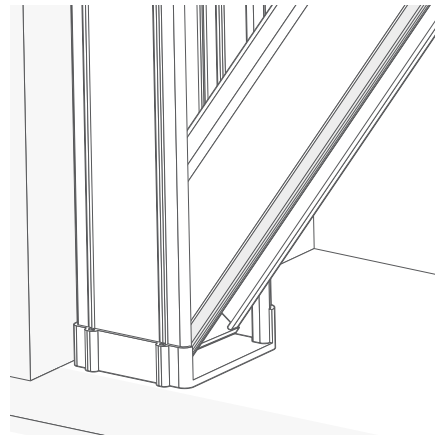
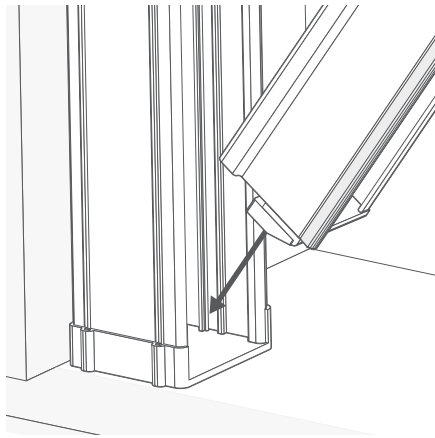


Leave a space of around 10mm between the front of the blind and the edge of the recess, so that there's space to fit the pelmet on the front later. Ensure that there is a gap of at least 50mm between the back of the blind and the window frame.

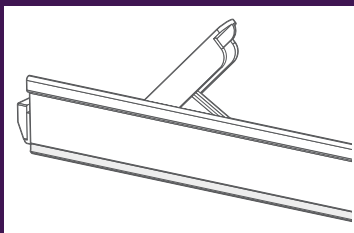
Now lock the blind in position using the locking lever in the headrail; holding the blind in position, push the lever back until it clicks into place and is flush with the rail. The blind's headrail should now be fixed solidly in place.

Fit the bottom bar and pelmet

3

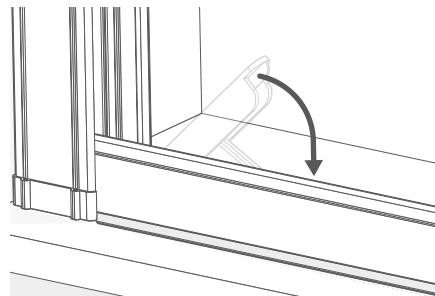
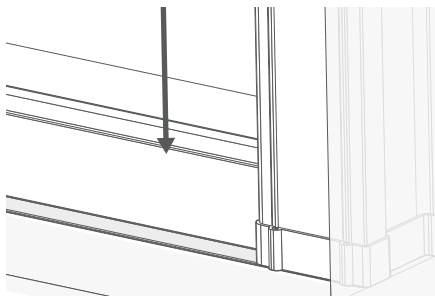


Insert the bottom bar into one of the side channels, with the bar angled up at the other end.

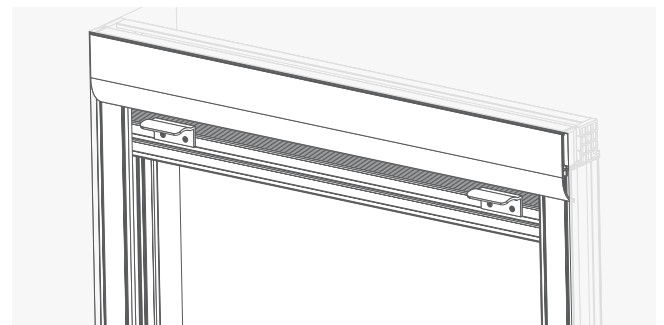
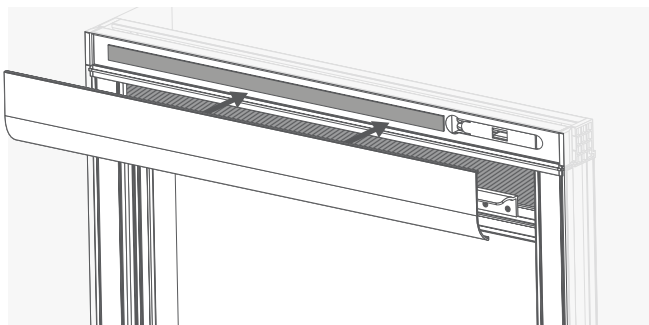


Top Tip

Again, ensure that the locking arm is raised and loose when you insert the bottom bar into the side channels.



Push the raised end of the bottom bar firmly down until the bar is flat and level. Lock it into place by pushing the locking lever down until it snaps into place.



Finally, attach the pelmet to finish. The pelmet simply attaches with magnets, just line up the magnets on the back of the pelmet with the strip on the front of the blind's headrail and press into place.