

Turn your phone or tablet

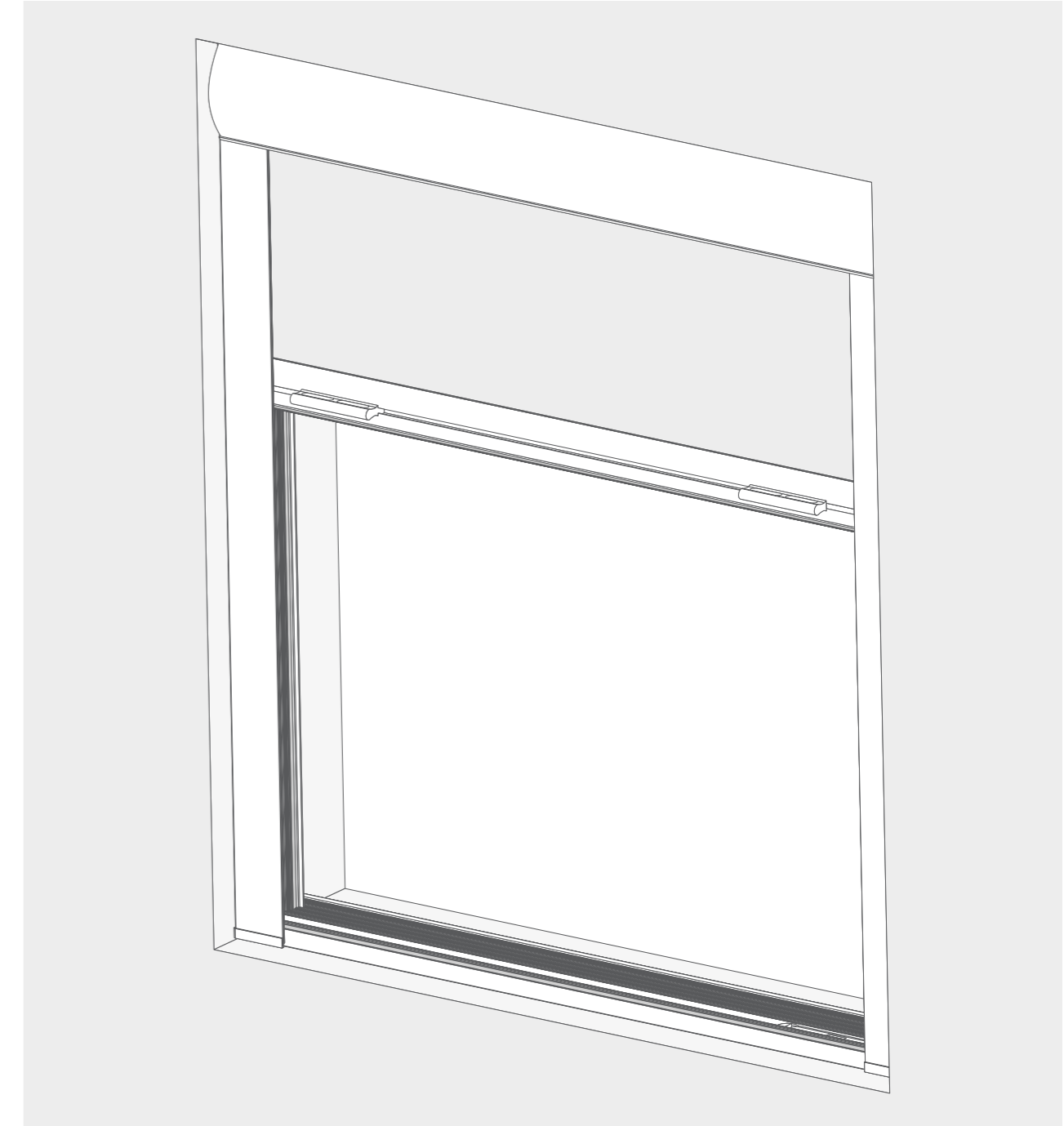
Our guides are best viewed in landscape if you're viewing on your phone or tablet.

Designed for *DIY*

Our Click2Shade Blackout Roller Blinds are designed to be installed by you, without specialist fitters, even if you don't have much DIY experience.

Featuring our clever Click2Go system, they can be installed quickly with no drilling or messy DIY. There are certain steps in this installation that will be a little easier if you have an extra pair of hands to help.

Please read each page of this guide carefully during installation, following along one step at a time.

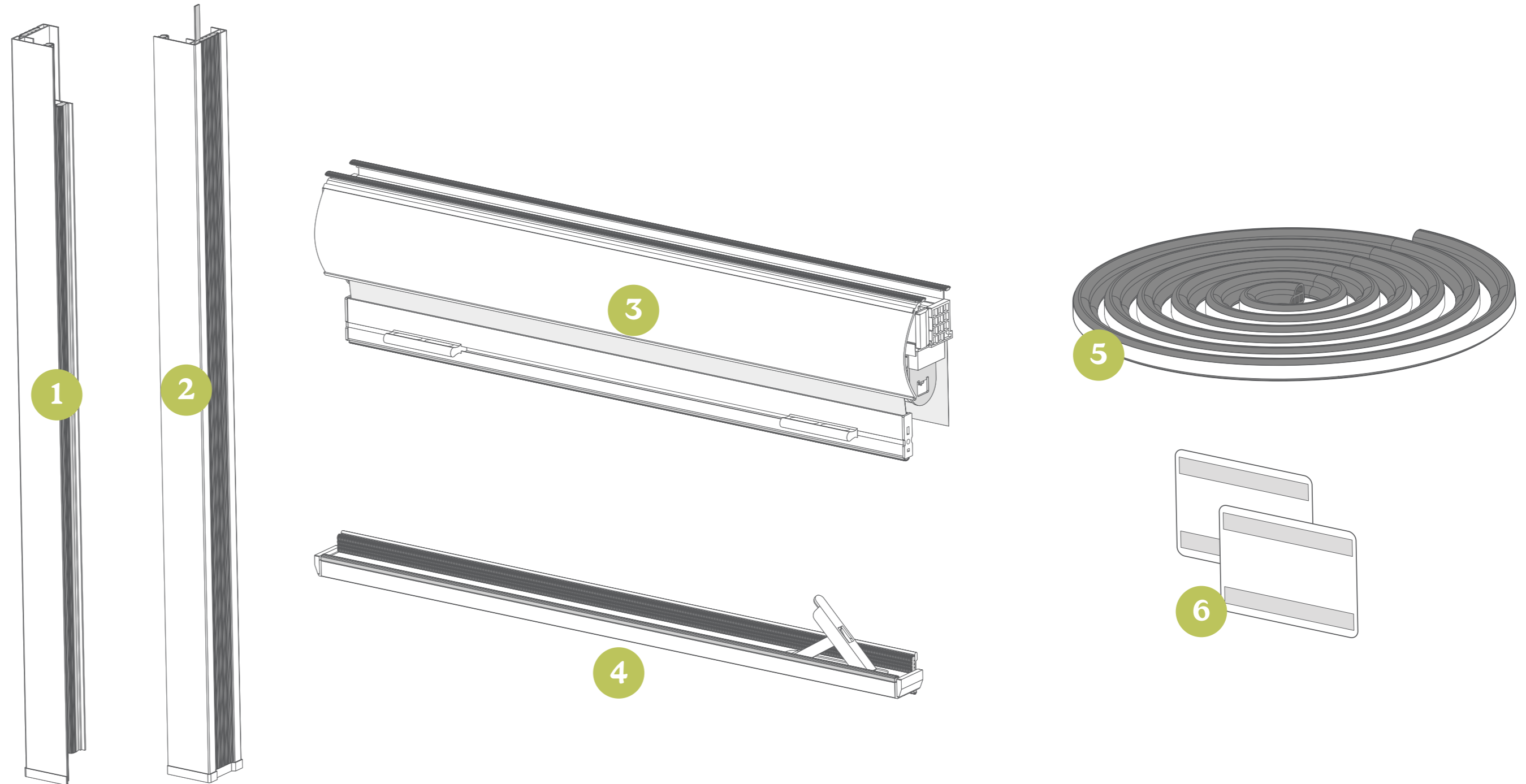


Tools required for this install:

- ✓ Scissors
- ✓ Spirit level

Parts included in your order:

- 1 Side channel (left)
- 2 Side channel (right)
- 3 Blind cassette
- 4 Bottom channel
- 5 Blackout seal
- 5 Blackout patches



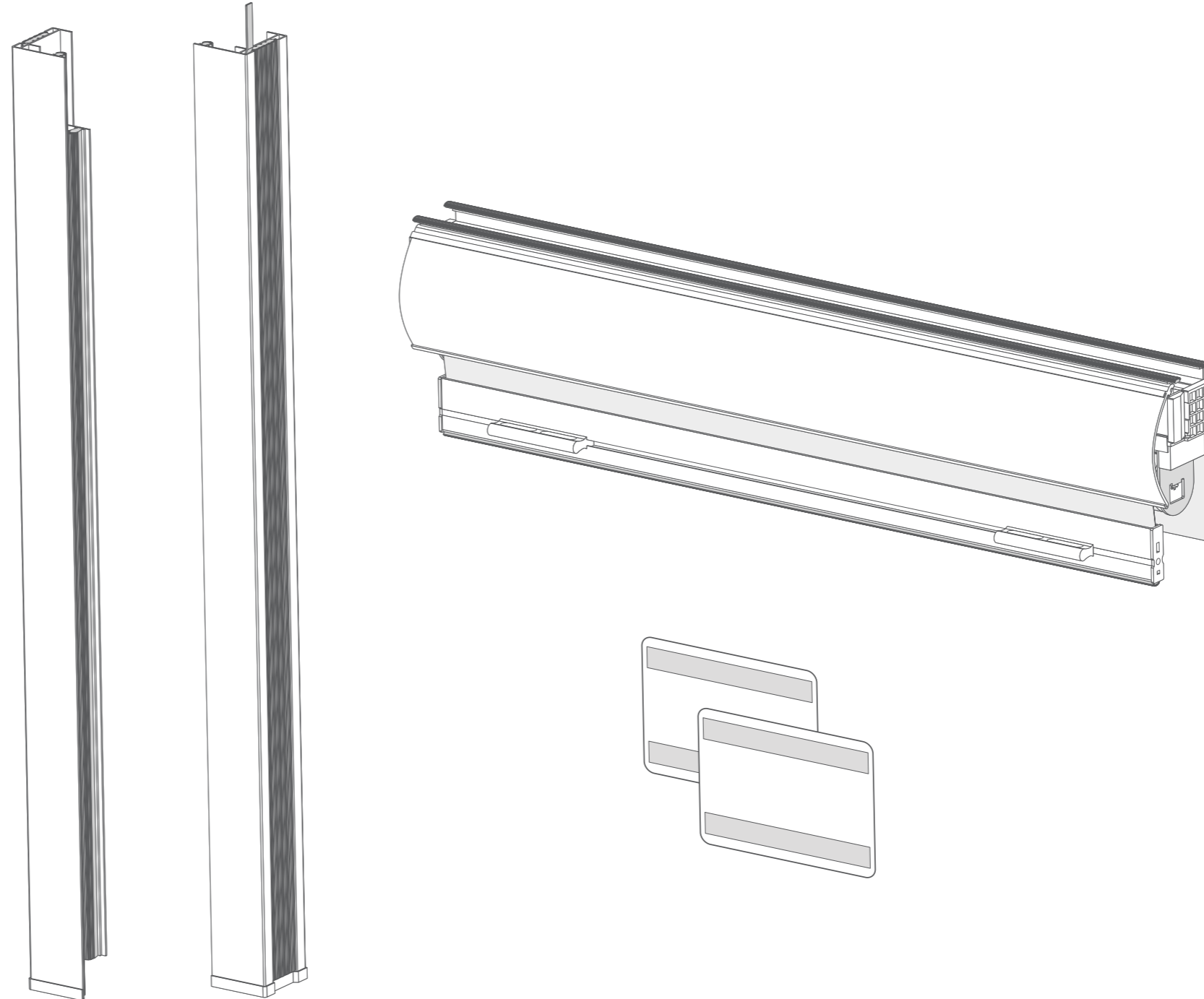
Parts required for this section:

Side channel (left)

Side channel (right)

Blind cassette

Blackout patches

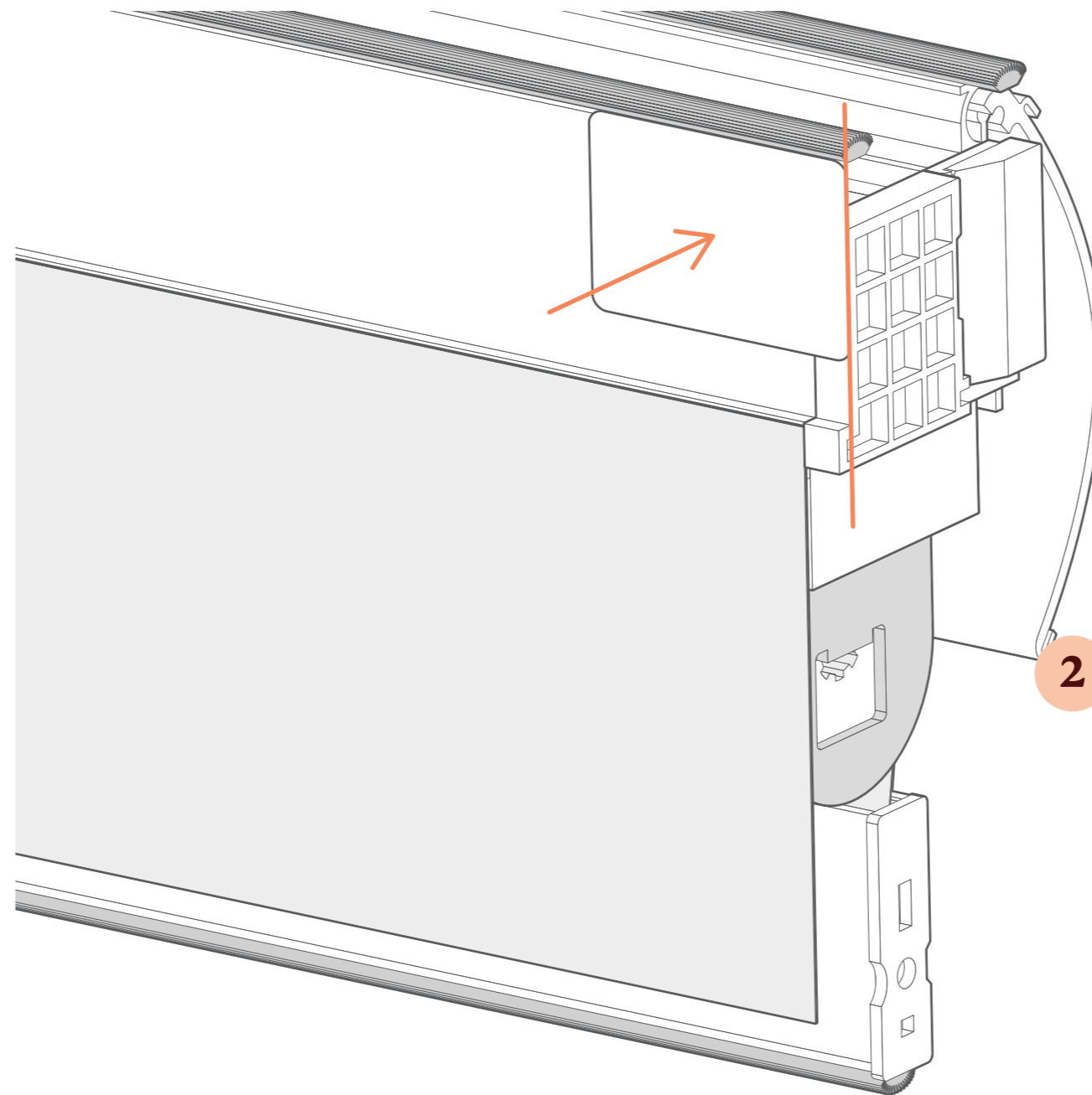
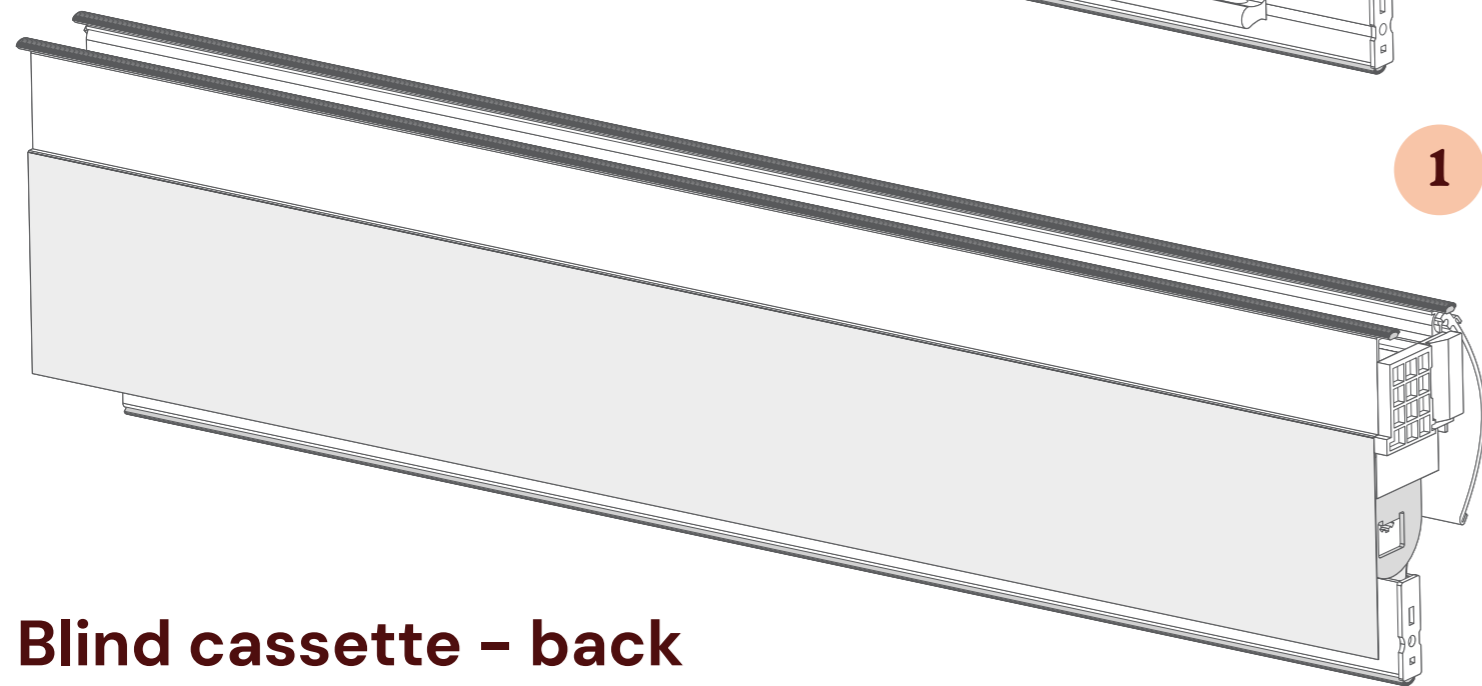


Blind cassette - front



1

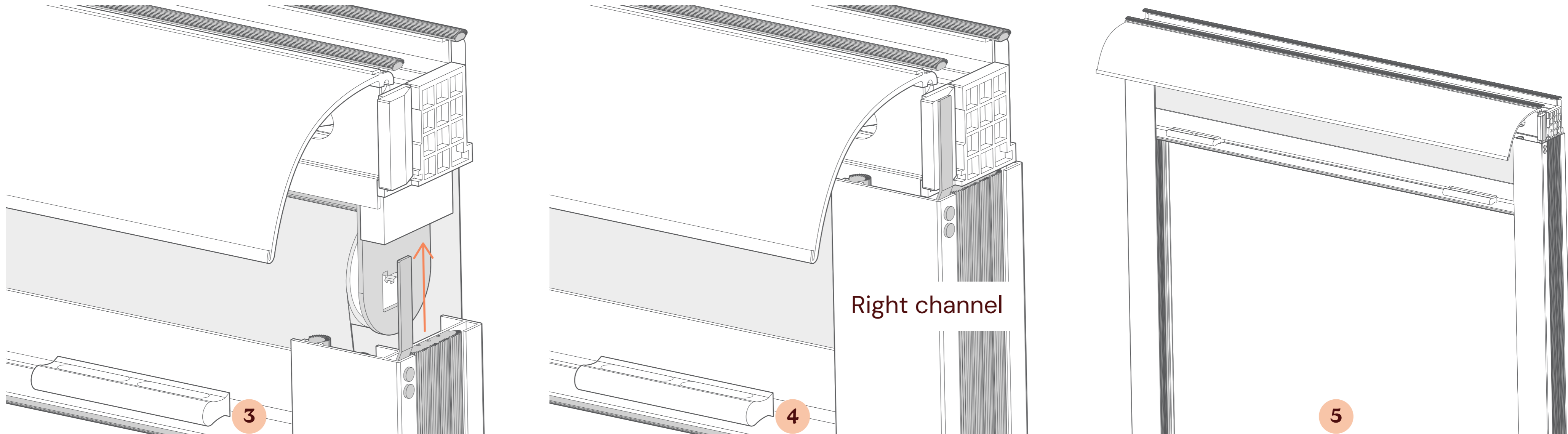
Blind cassette - back



Start by attaching the blackout patches included with your components. Stick the pads onto the back of the cassette, one at each end ((1) shows which is the back of the blind and which is the front).

The patches are to cover the gaps where the slotted end-caps protrude, so line up the edge of the patch with the edge of the end cap (2).

Section 2 Assembly



Slot the side channels into position on the ends of the cassette (3 / 4 / 5). They fit loosely so you'll have to hold them in position during the next section.

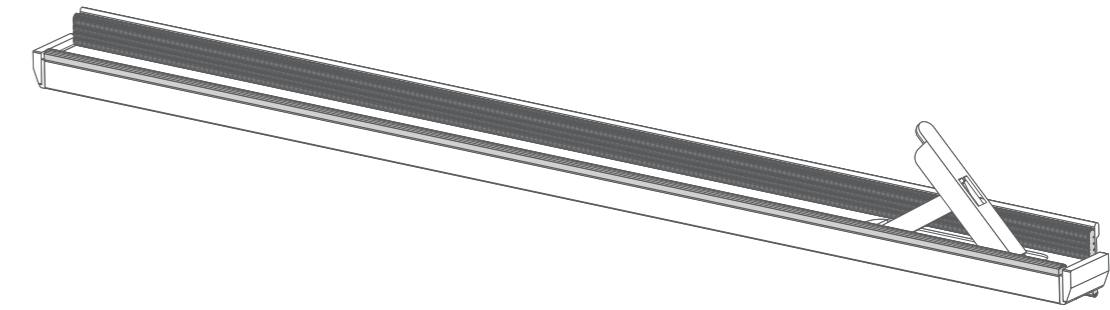
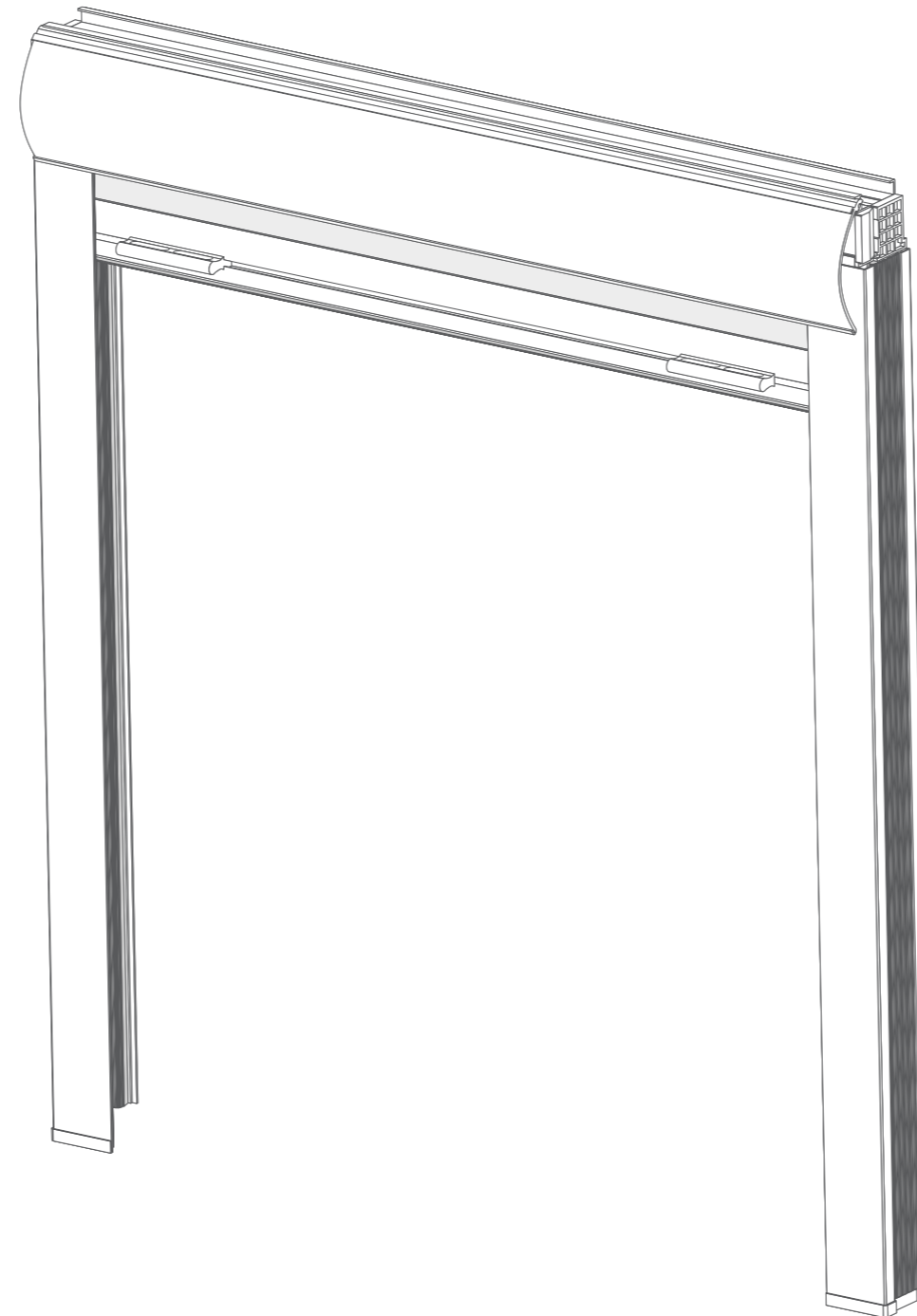
Tools required for this section:

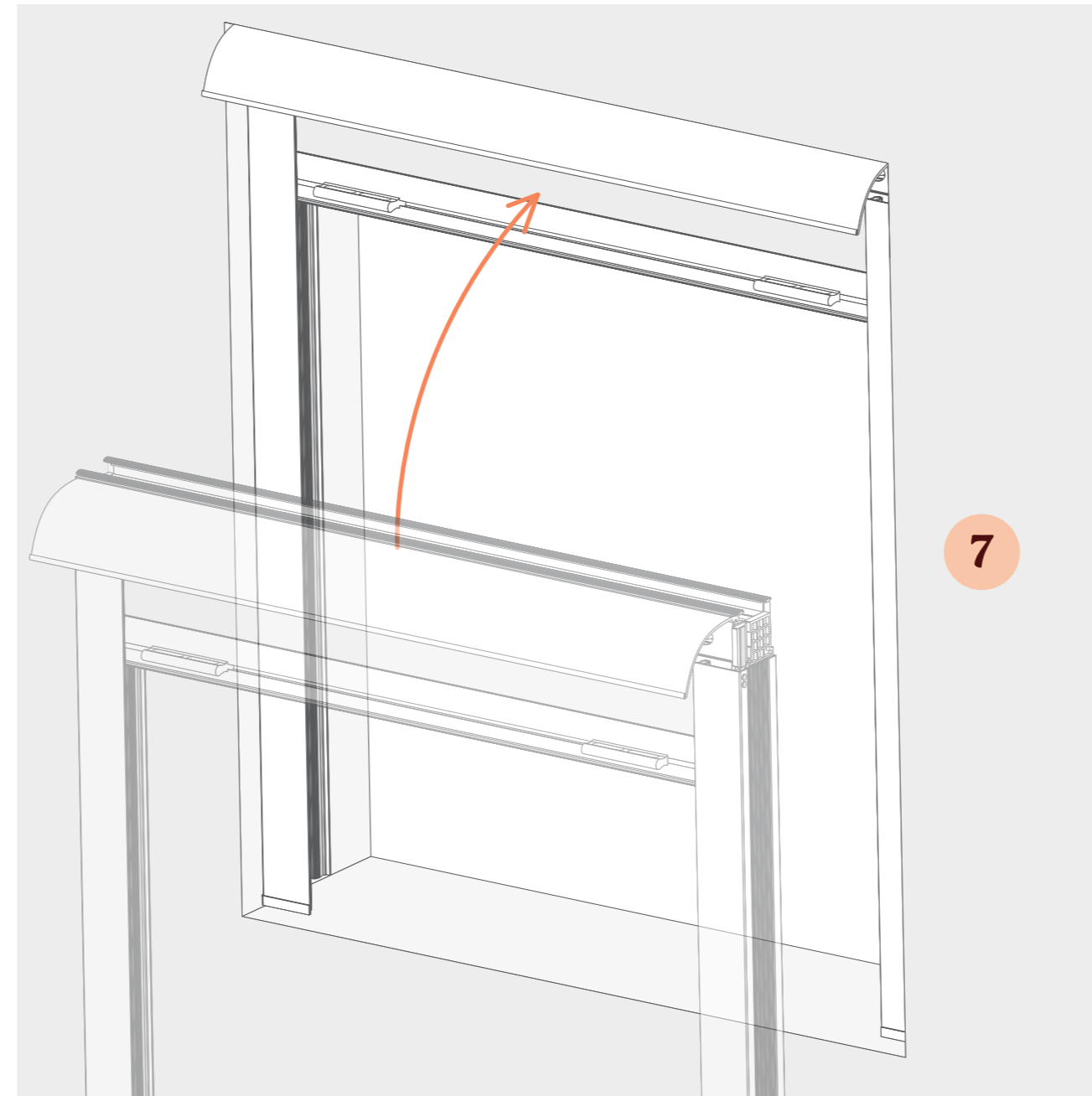
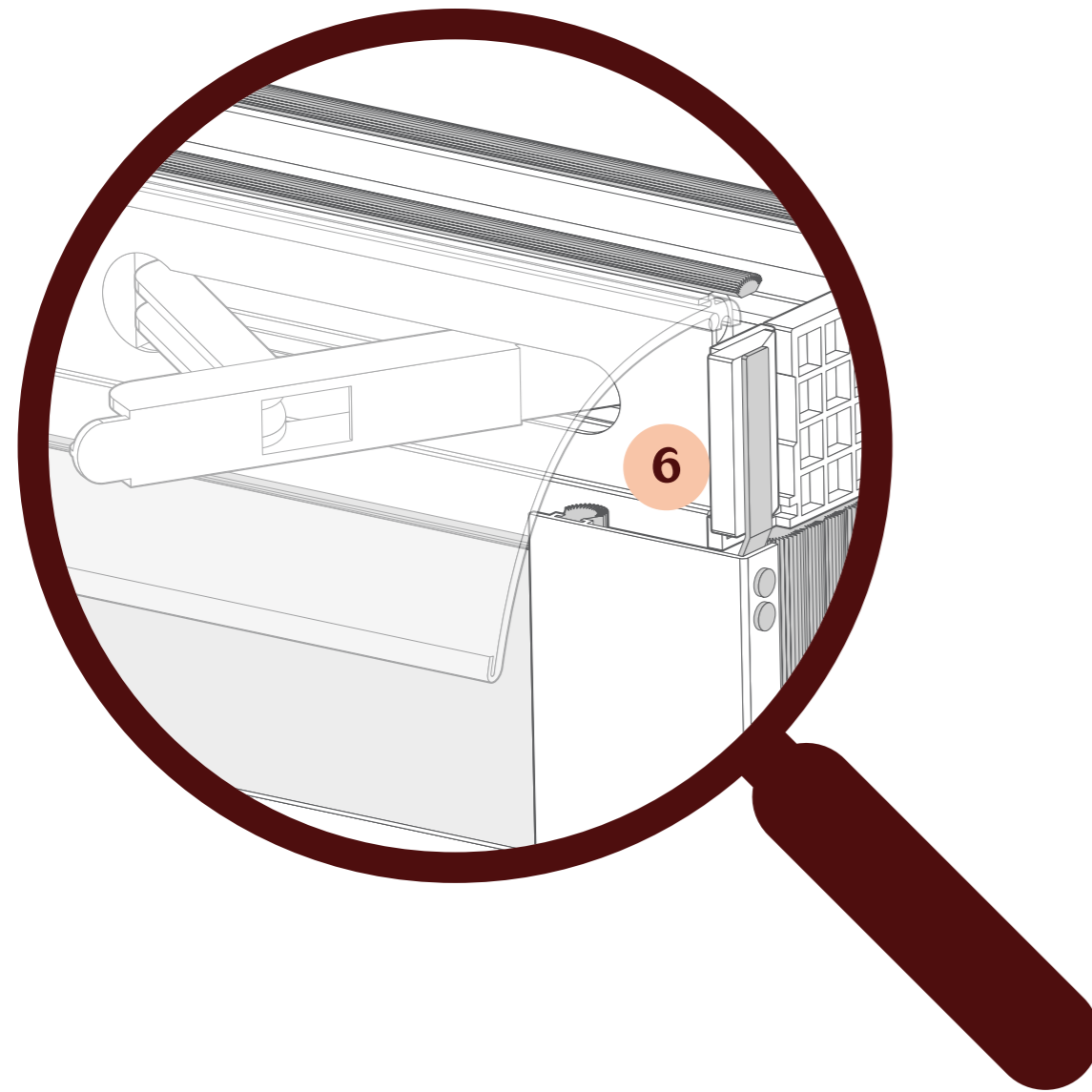
- ✔ Spirit level

Parts required for this section:

Assembled blind

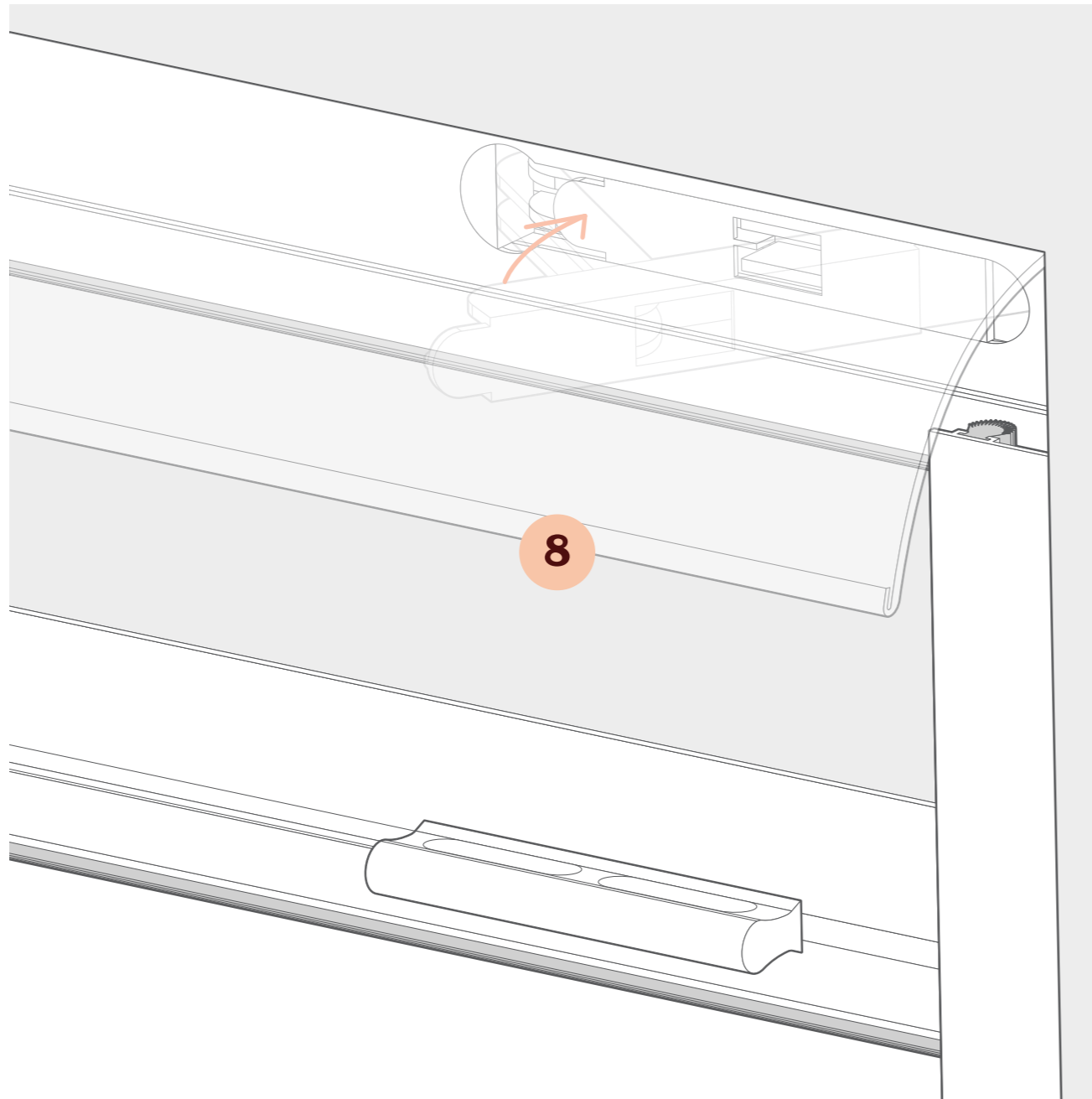
Bottom channel



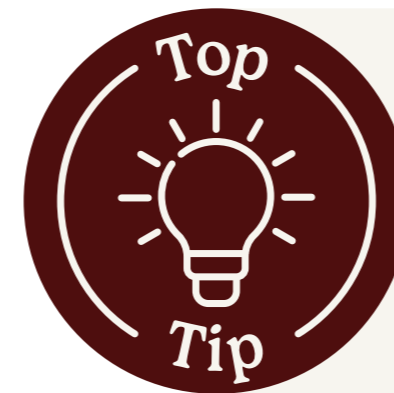


Make sure that the Click2Go lever is protruding forward as far as it will go (6).

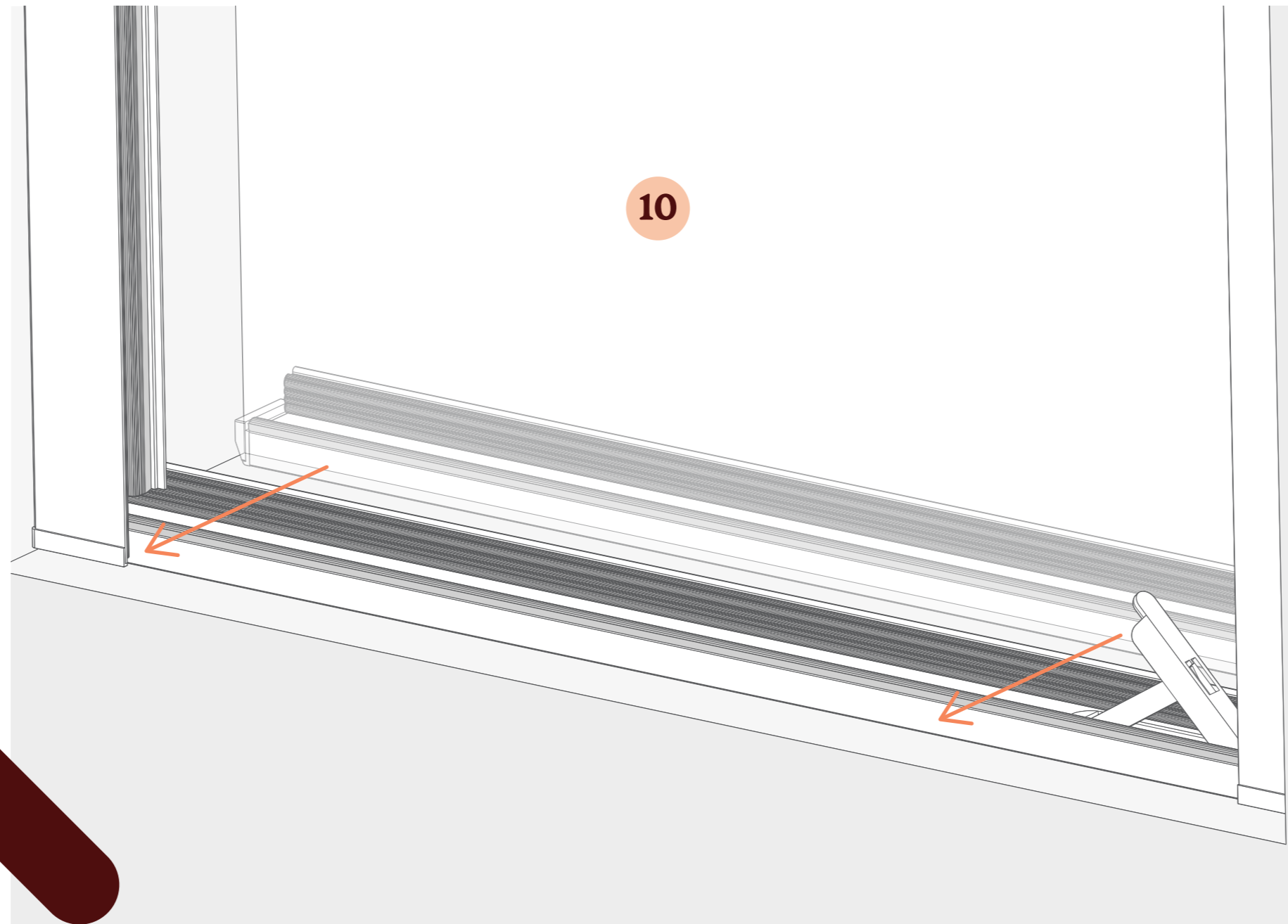
Holding the side channels in position on the ends of the cassette, lift the assembled blind into the recess (7).



Holding the cassette firmly in position, push the Click2Go lever back into the cassette until it snaps into place (8).

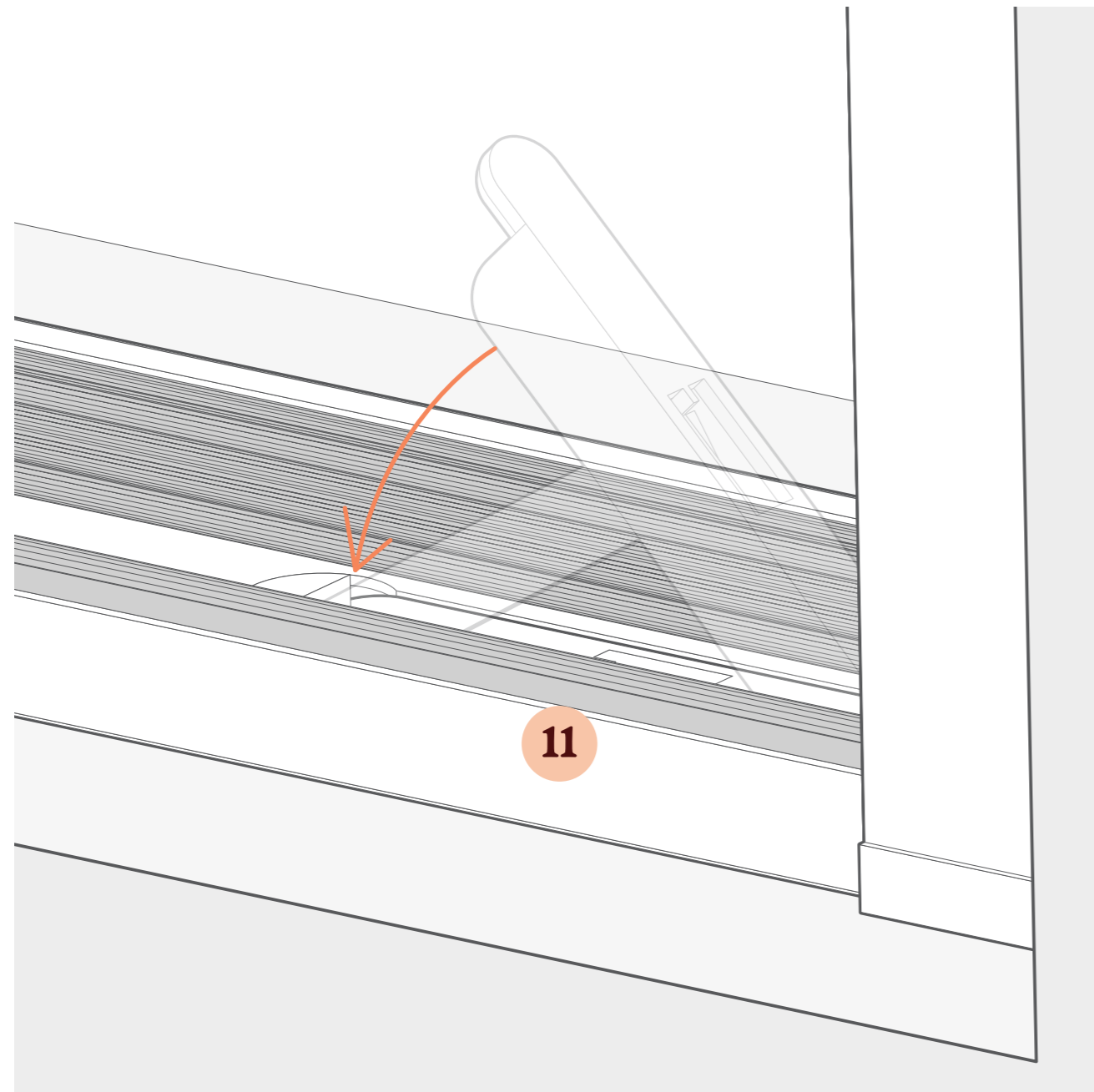


Once clicked into place, there should be just enough 'give' to tweak the positioning slightly. Use your spirit level to check that the blind is straight on both sides.



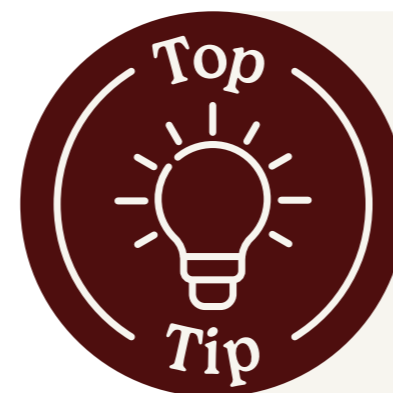
Take the bottom channel and make sure that the Click2Go lever is protruding upwards as far as it will go (9).

Place it behind the blind, then bring it forward to slot in between the side channels (10).



Holding the bottom bar firmly in position, press the Click2Go lever down until it snaps into place (11).

The blind should now be locked securely inside the recess.



Again, you should be able to move the bottom of the blind back and forth just a little, so now is a good time to do one final check with your spirit level to make sure the blind is nice and straight.

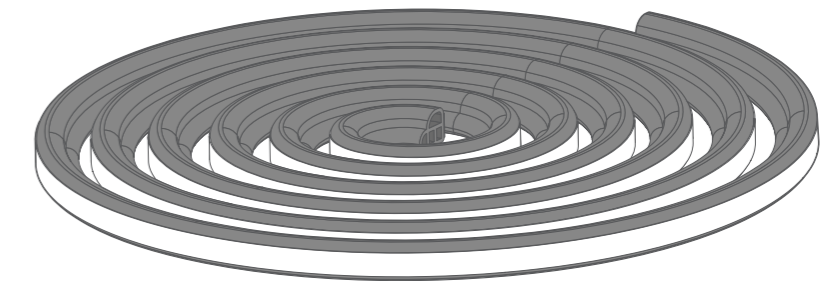
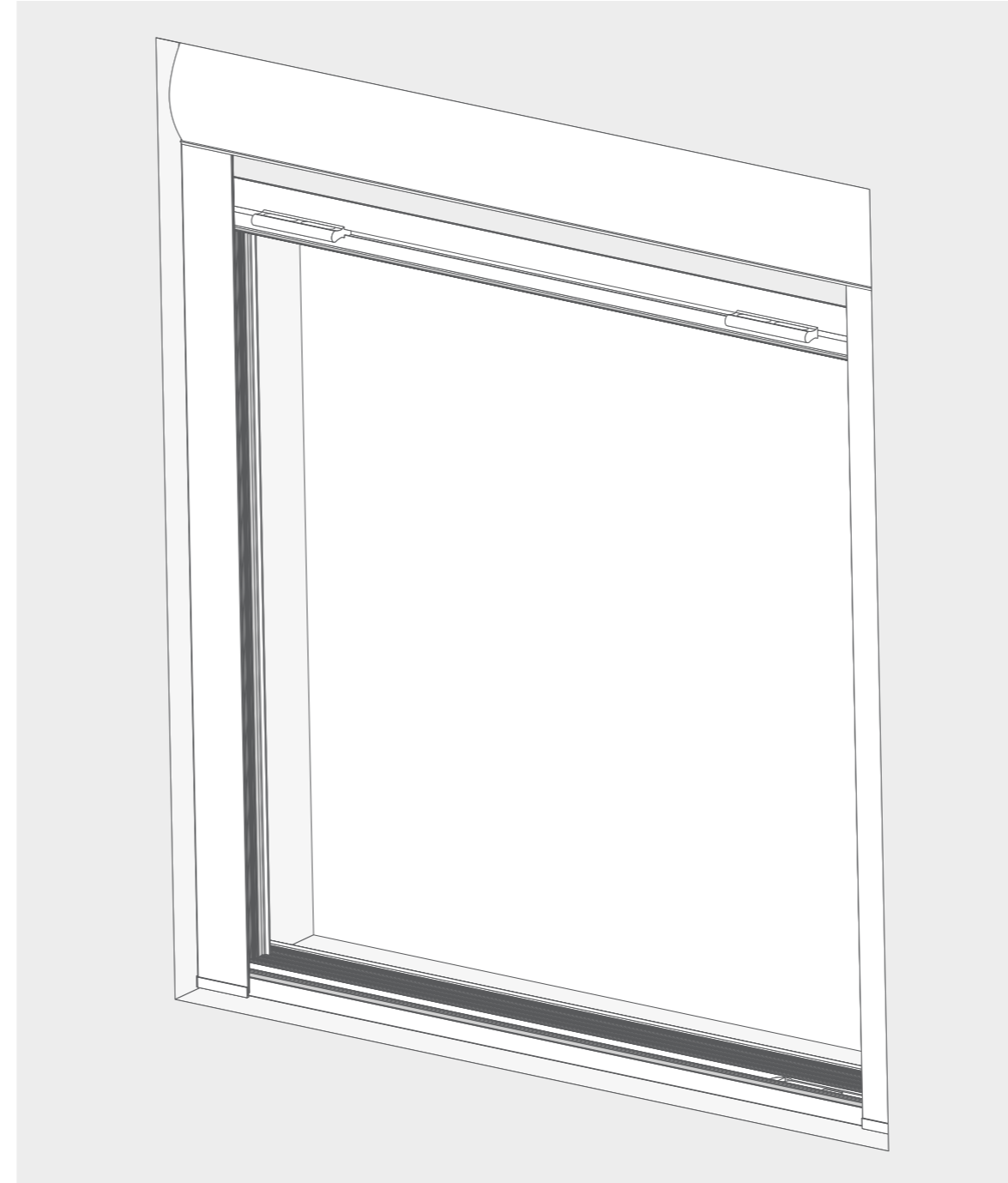
Tools required *for this section:*

- ✔ Scissors

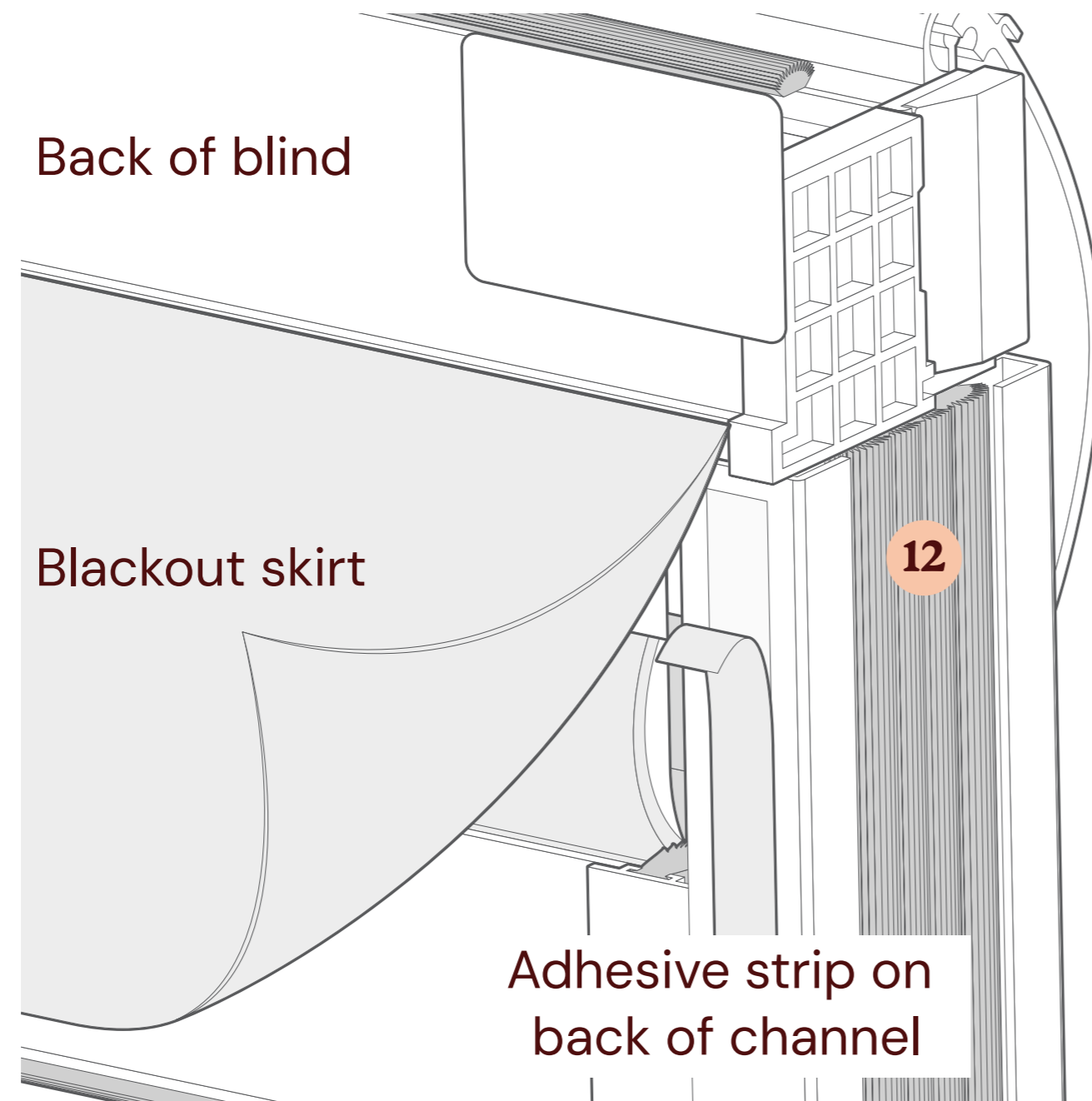
Parts required *for this section:*

Installed blind

Blackout seal

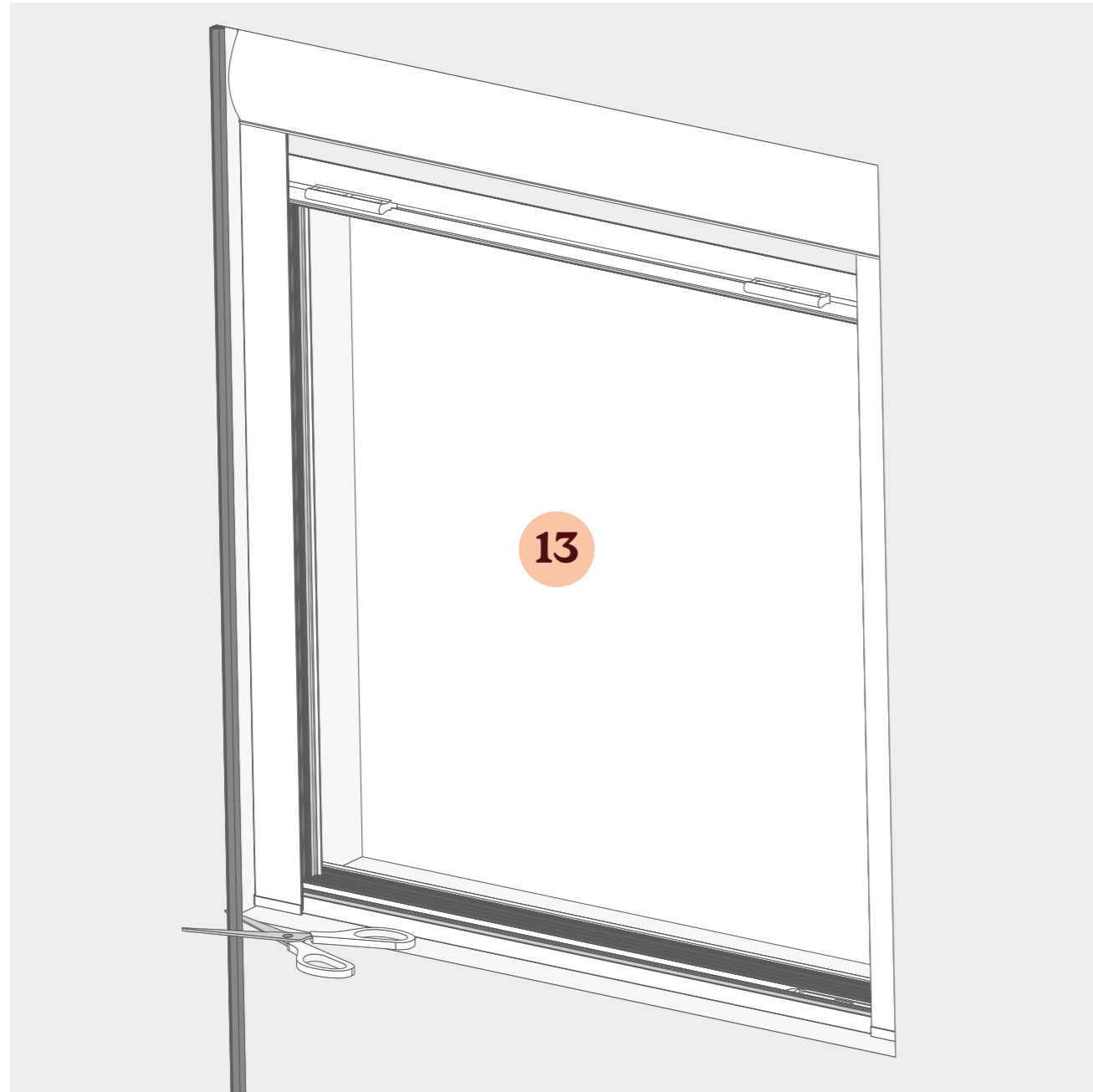


Section 4 *Finishing Touches*



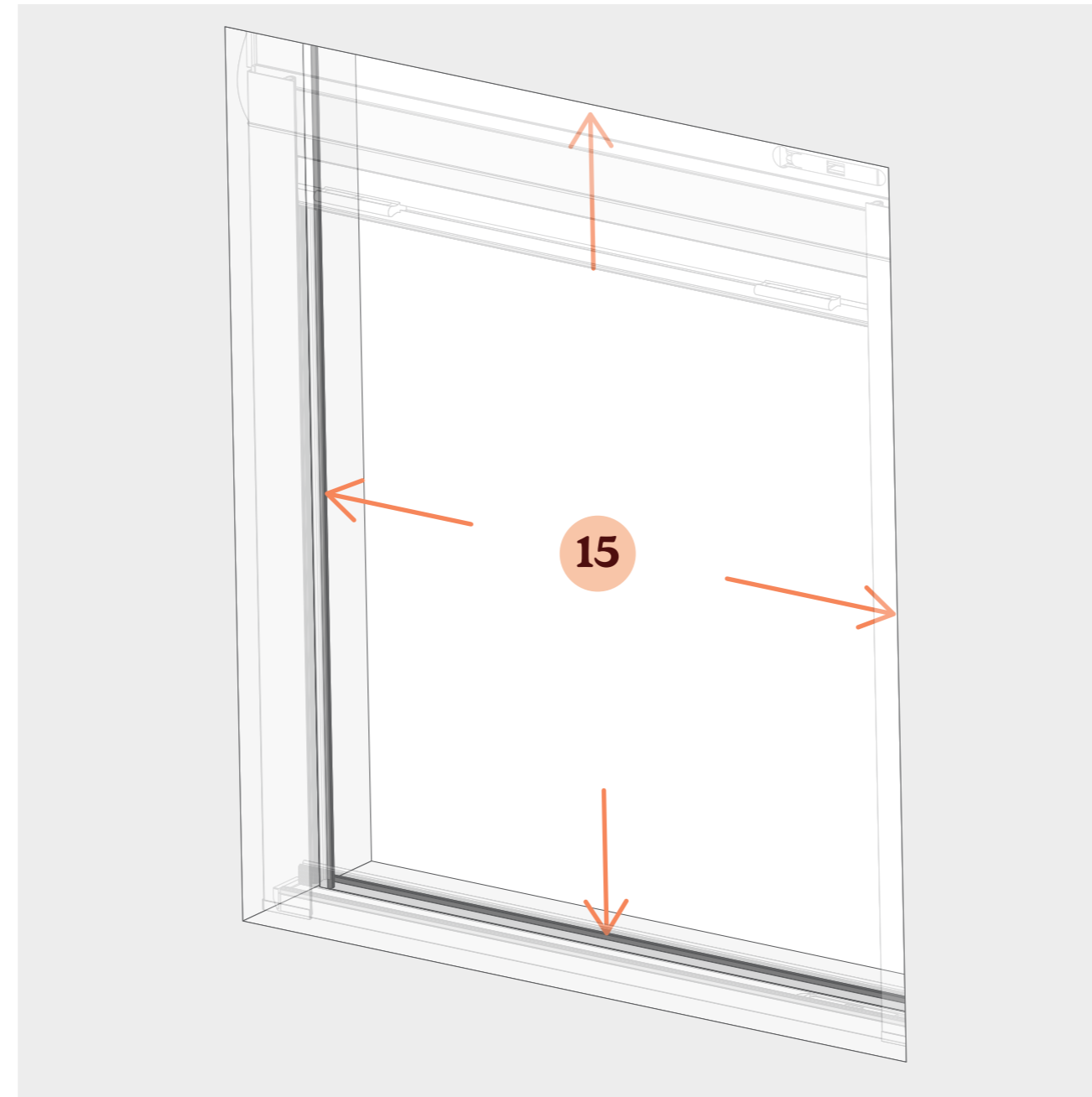
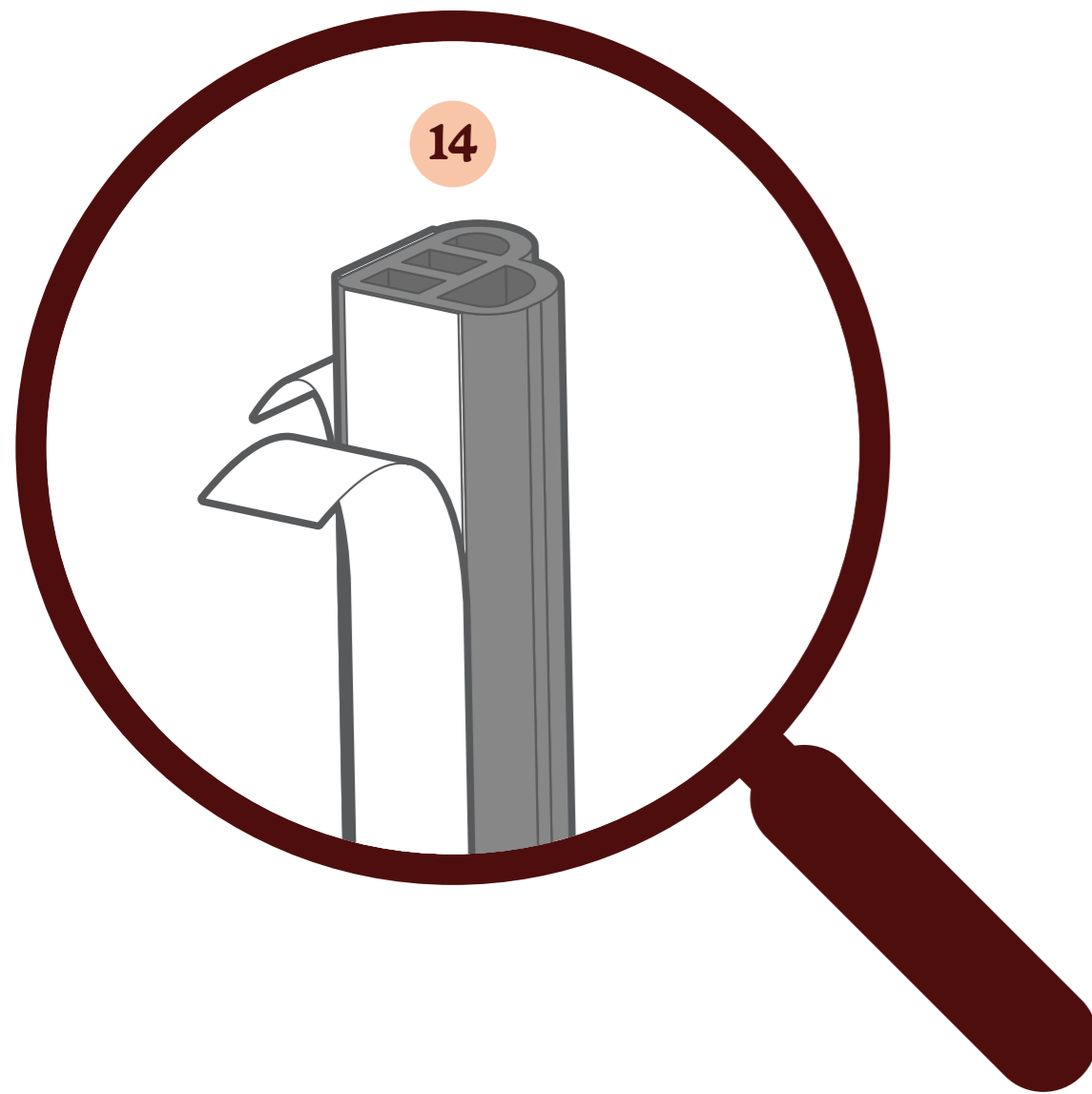
Reach up behind the blind, and beneath the 'skirt' of blackout fabric on the back of the cassette.

On the back of each side channel is a thin adhesive strip – peel the cover from each strip (12) and press the blackout skirt against the backs of the channels to stick it in place.



Take your blackout seal and unroll it, and begin cutting it into sections.

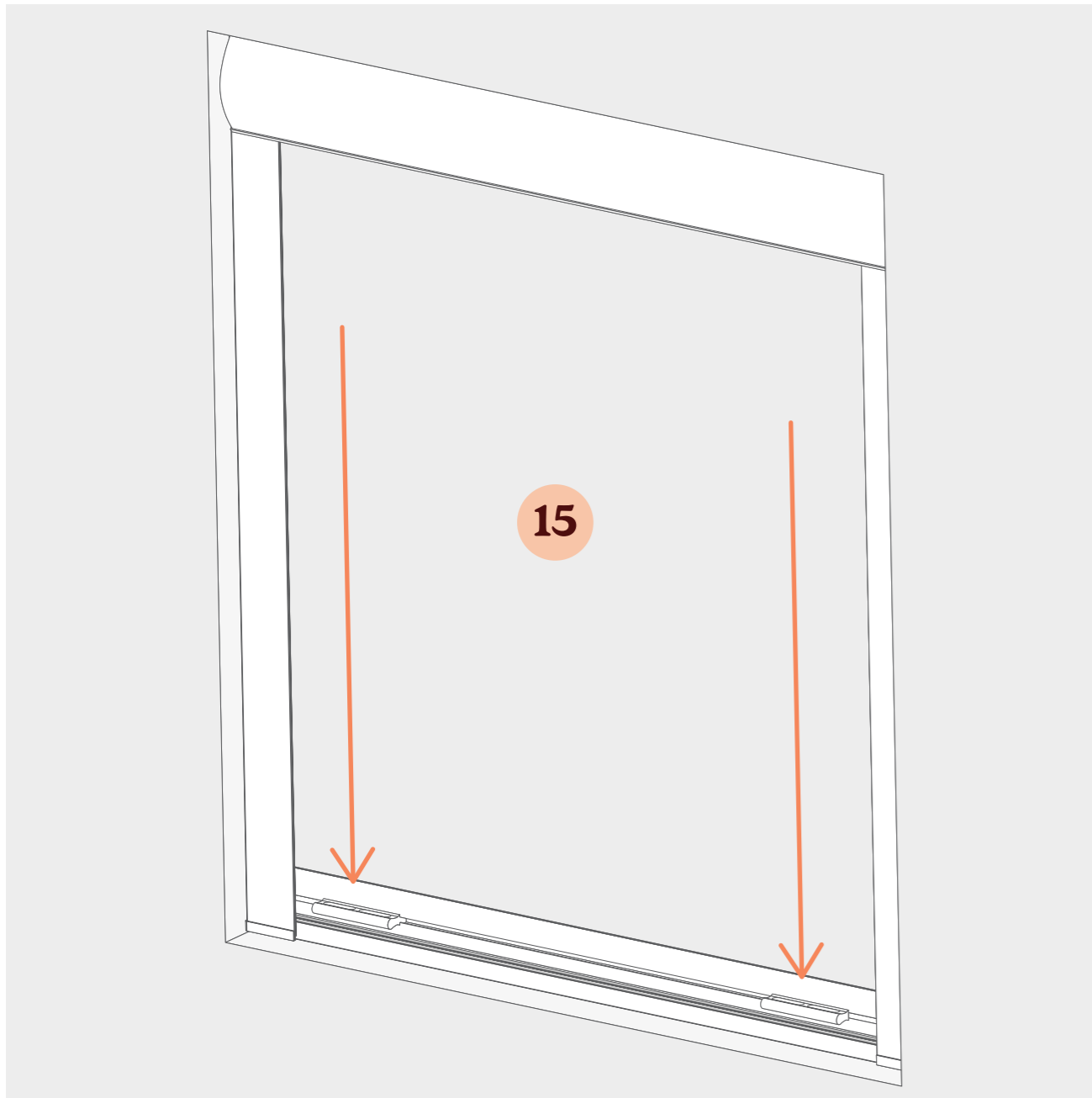
Use the recess as a guide, cutting the seal into 4 lengths – 2 the same length as the sides of the recess, 2 for the top and bottom (13).



There are 2 adhesive sides to the blackout seal. Start by peeling both covers off one of your lengths (14).

Then, stick the length into place, tight up against the back of the blind and the inside of the recess.

Do this for all 4 lengths of the strip (15), making sure that they meet without gaps in each corner, especially in the top corners, to block out the most light possible.



Switch off all the lights, then pull down on the blind's tab handles to lower it fully, so you can check for any light leaking in around the frame (16).

Plenty of excess blackout seal is provided, so you can snip off more lengths and stick those behind the blind to close off any small gaps, as needed.

And that's it! Your new blind is fully installed and ready to enjoy...