

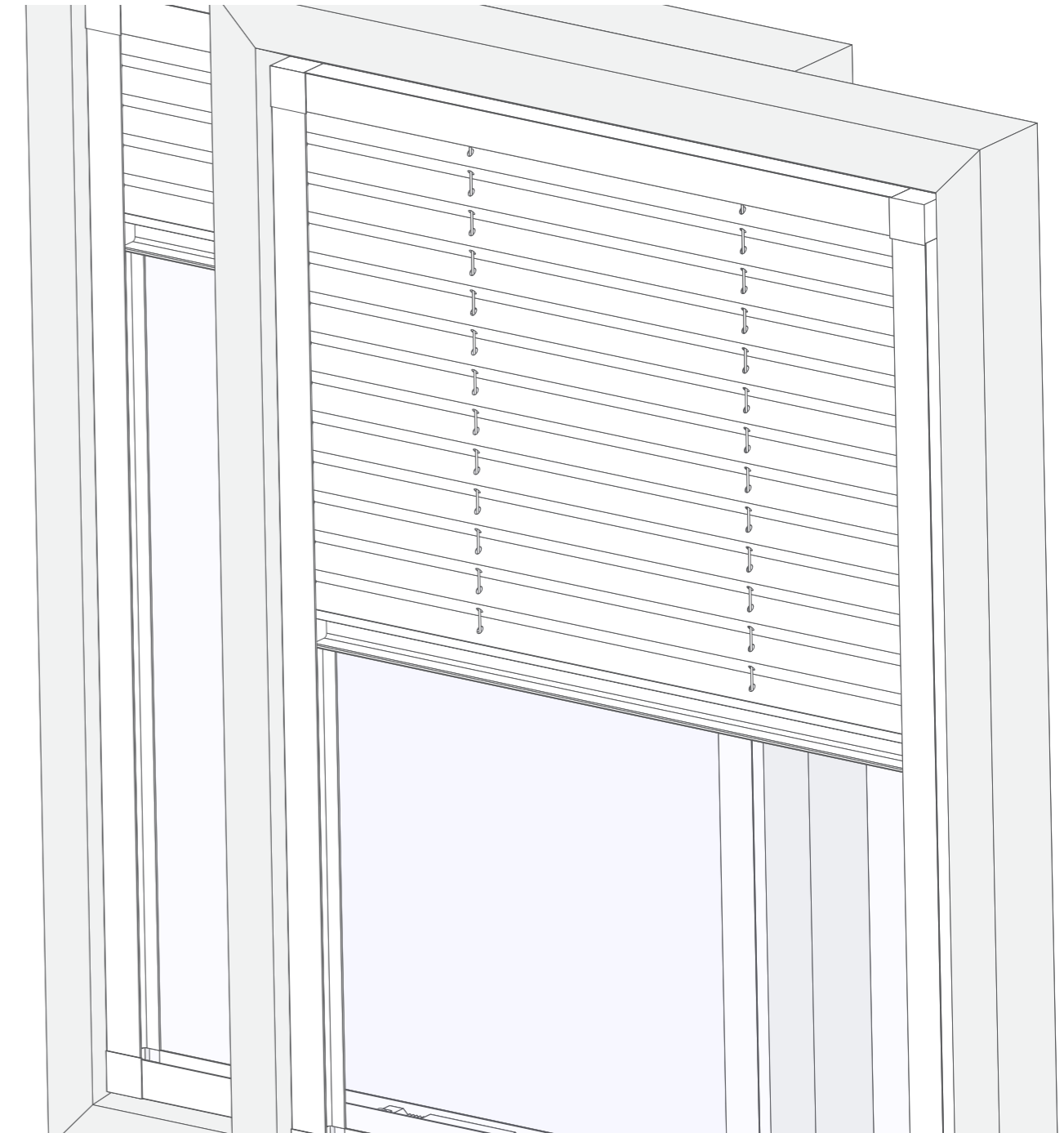
Turn your phone or tablet

Our guides are best viewed in landscape if you're viewing on your phone or tablet.

Designed for *DIY*

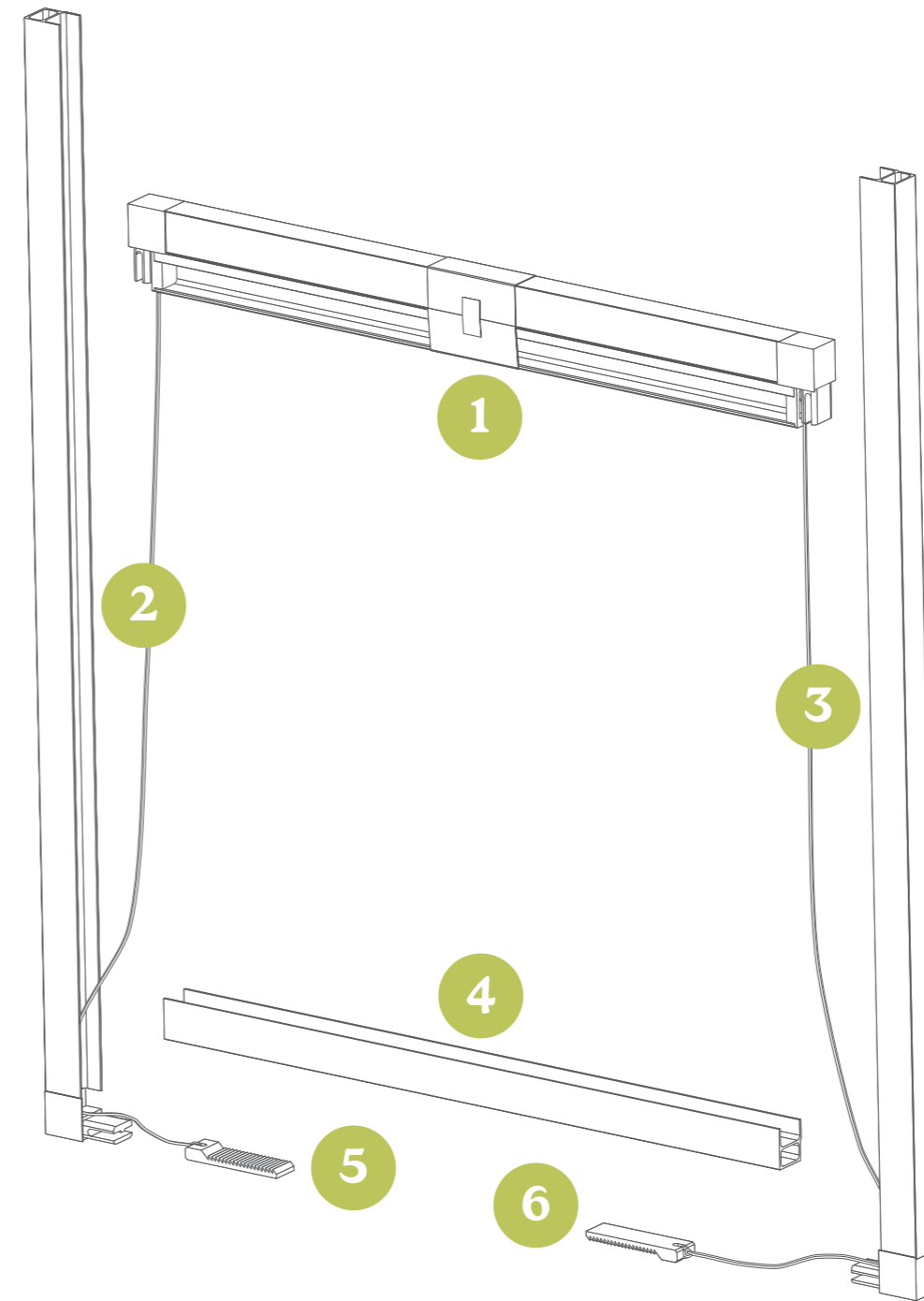
Our Sliding Door Blinds are designed to be installed by you, without specialist fitters, even if you don't have much DIY experience.

Please read each page of this guide carefully during installation, following along one step at a time.

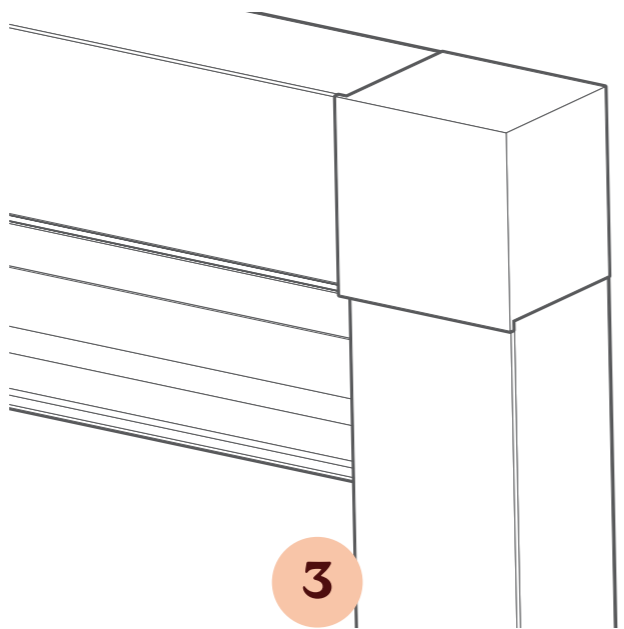
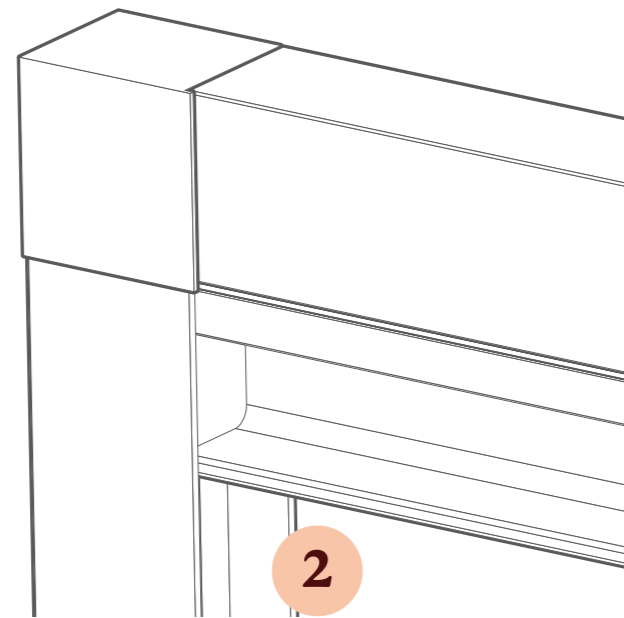
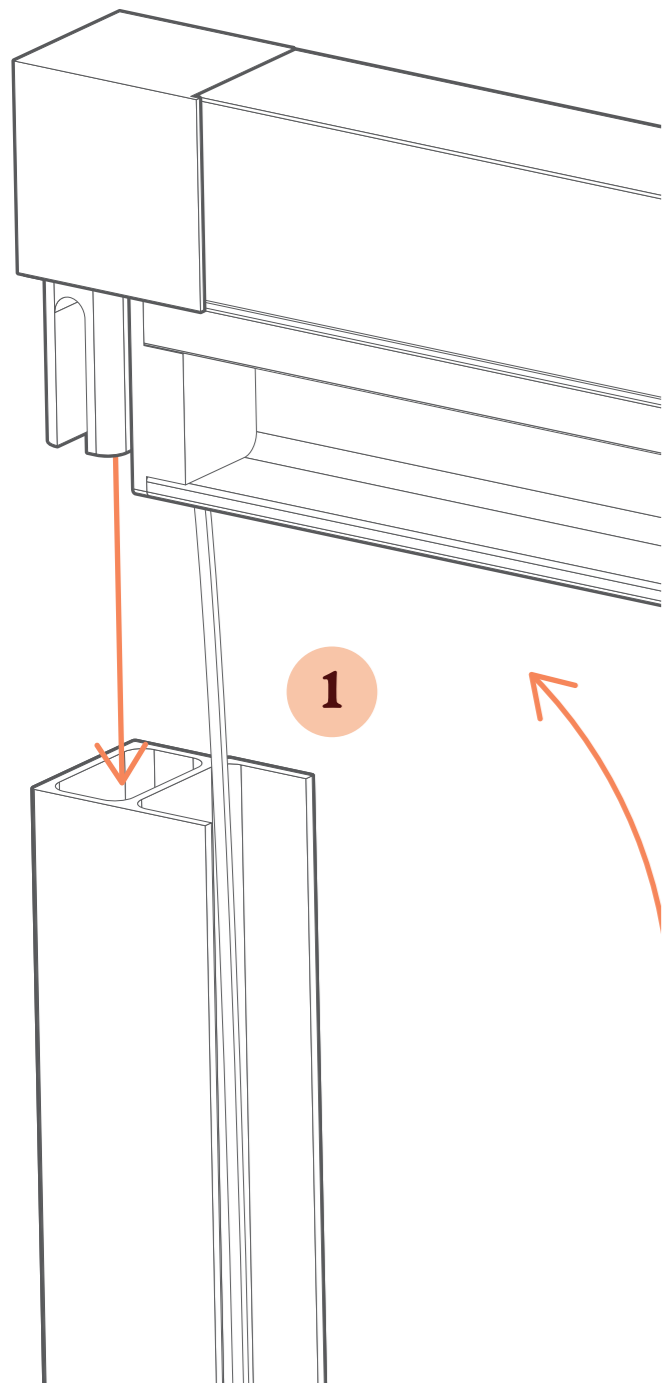


Parts included *in your order*:

- 1 Sliding Door Blind
- 2 Left frame
- 3 Right frame
- 4 Bottom frame
- 5 Tension lock (left)
- 6 Tension lock (right)



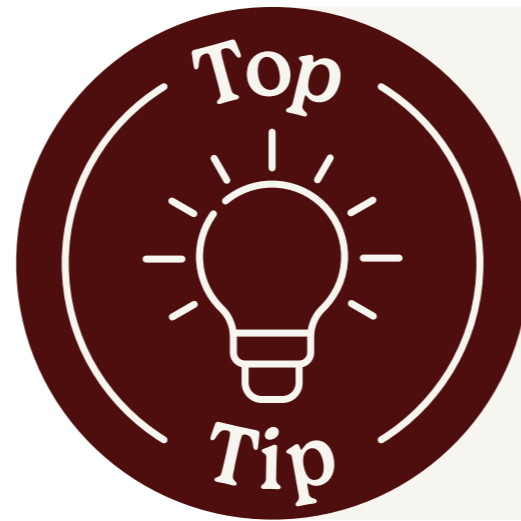
Section 2 Assembling the Blind



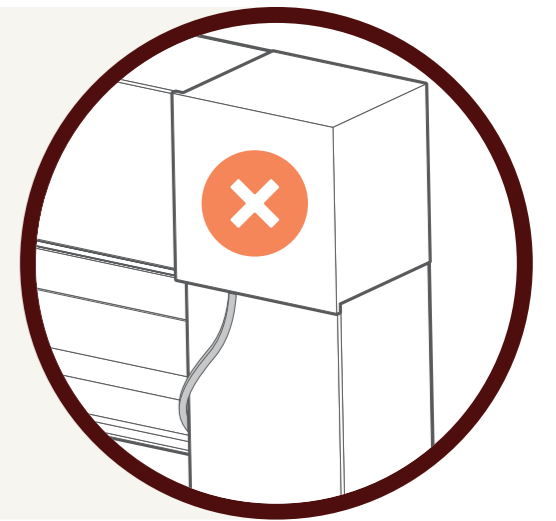
Pull the side frame out to the side and line it up with the end of the blind (1). The end of the side frame where the cord is connected should be furthest from the blind, so the cord should be taut.

Slot the peg on the end of the blind into the open slot in the end of the side frame (1 → 2).

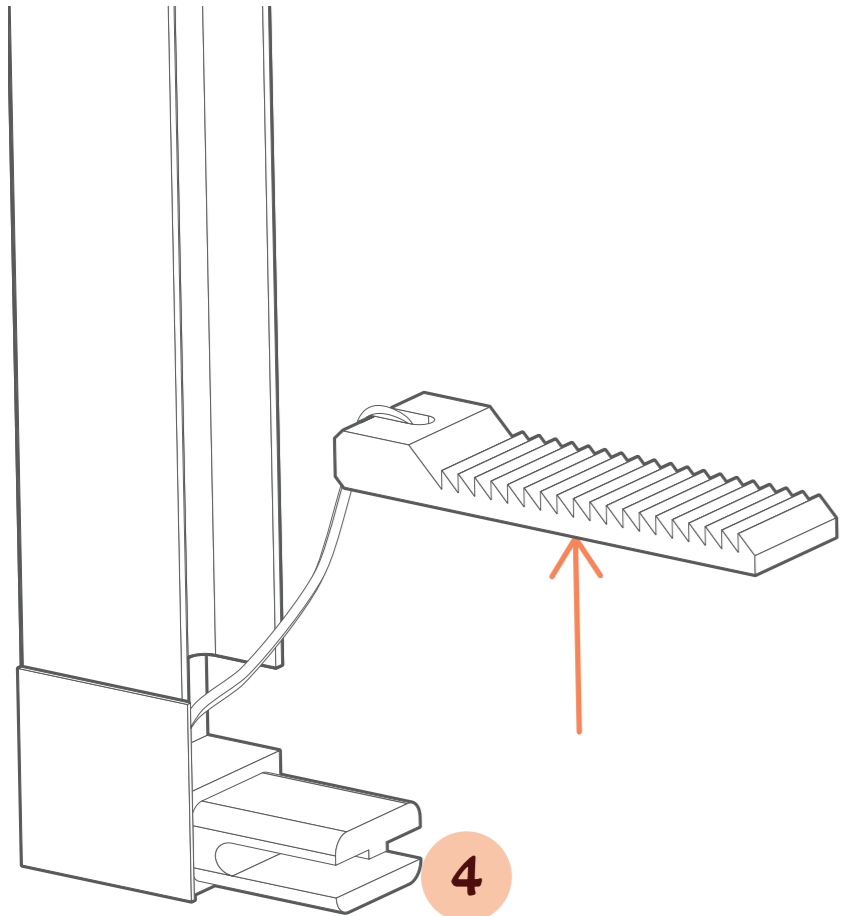
Repeat with the other side frame (2).



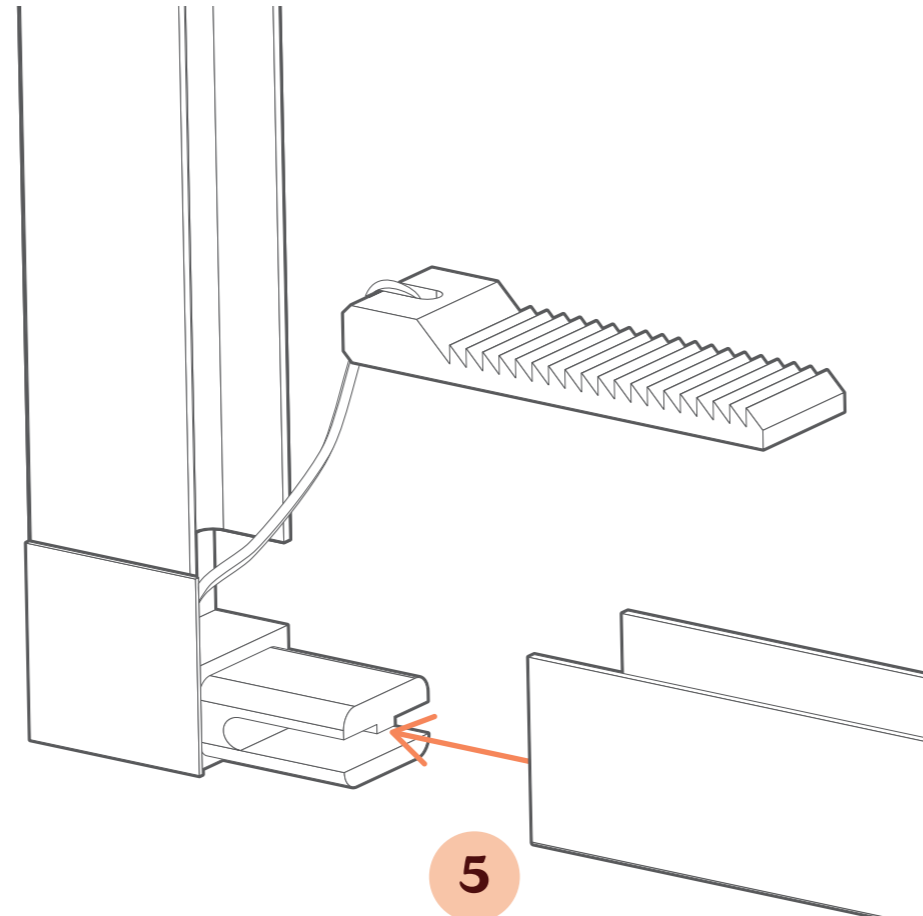
When you slot the frames onto the ends of the blind, make sure that on each side the cord runs smoothly into the frame's channel and is not caught or trapped anywhere.



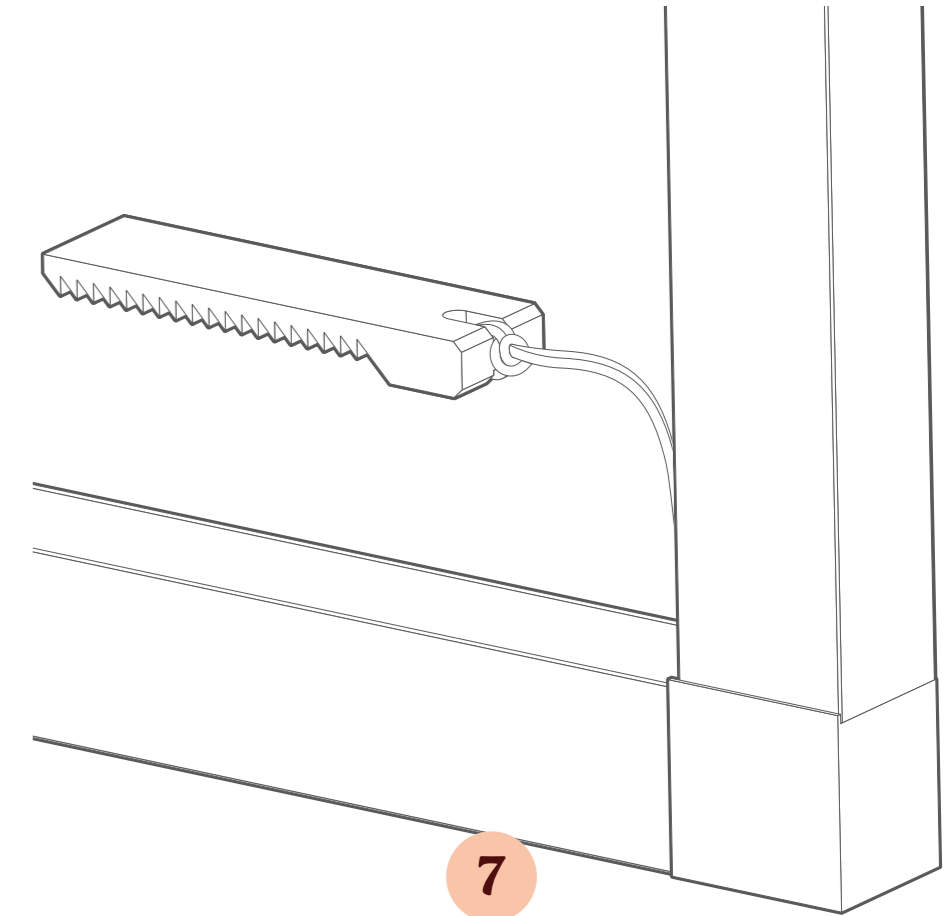
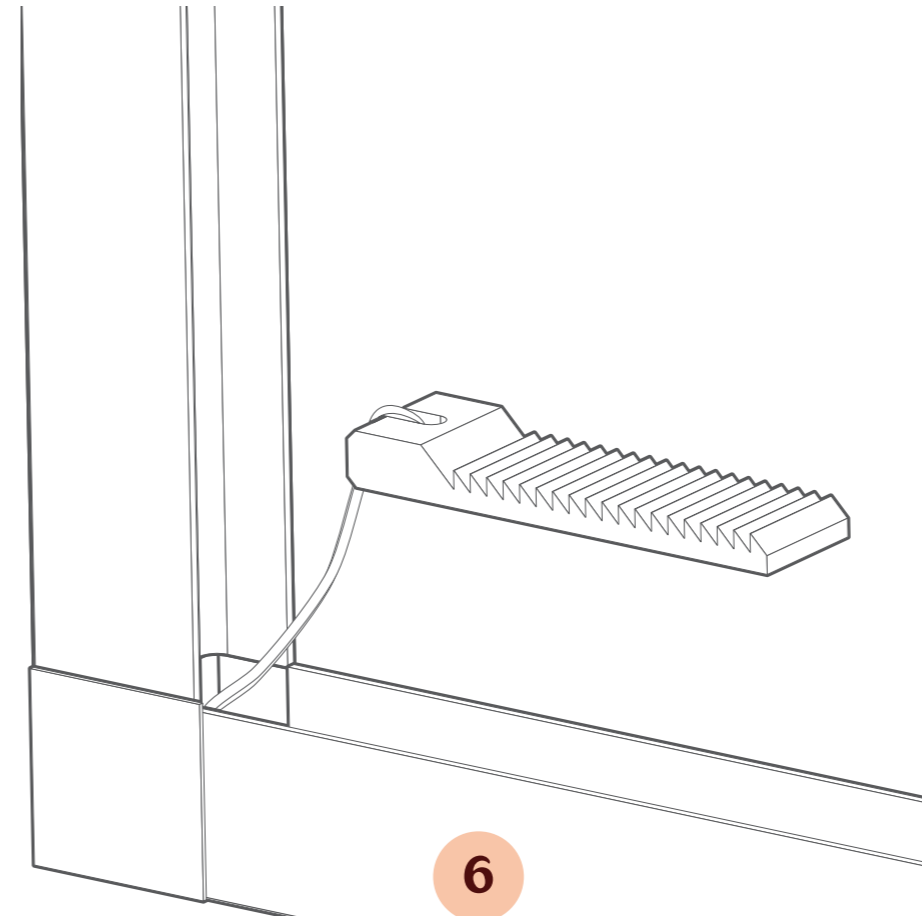
Section 2 Assembling the Blind



At the bottom of each frame, lift the tension lock out of the way (4).

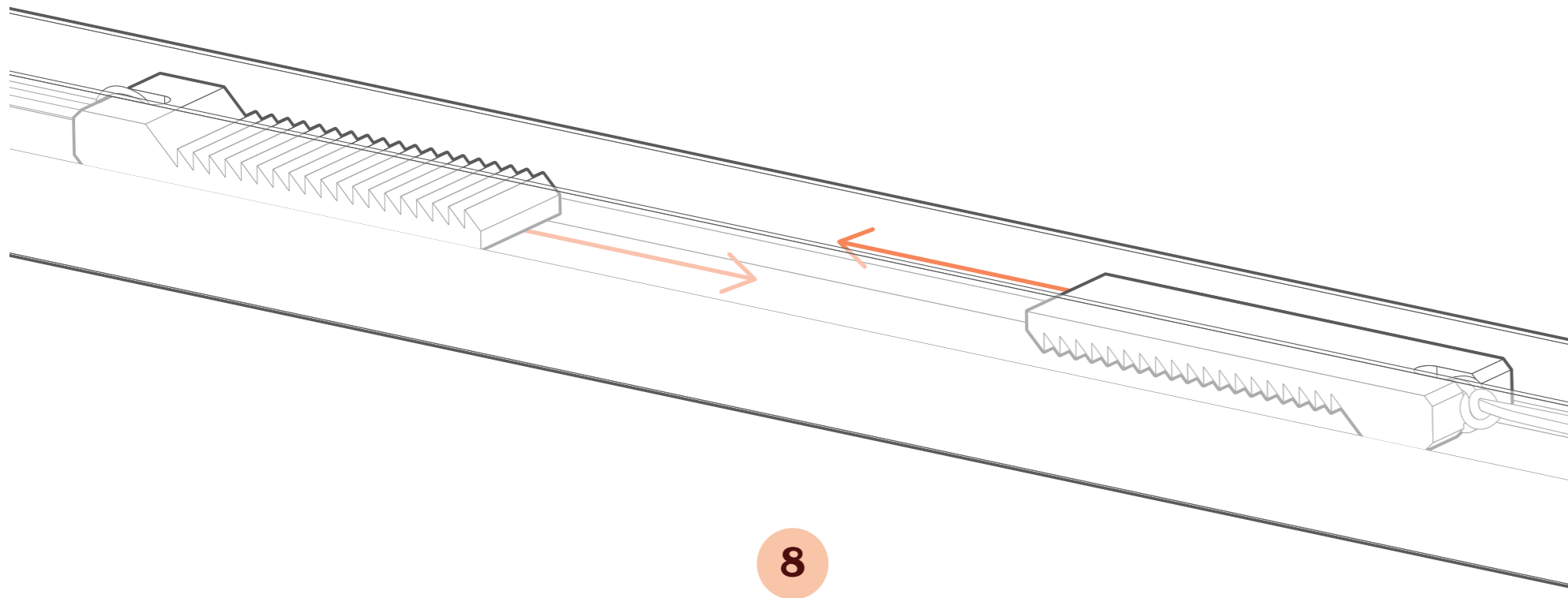


Slot the bottom frame onto the peg at the bottom of the side frame (5 → 6).

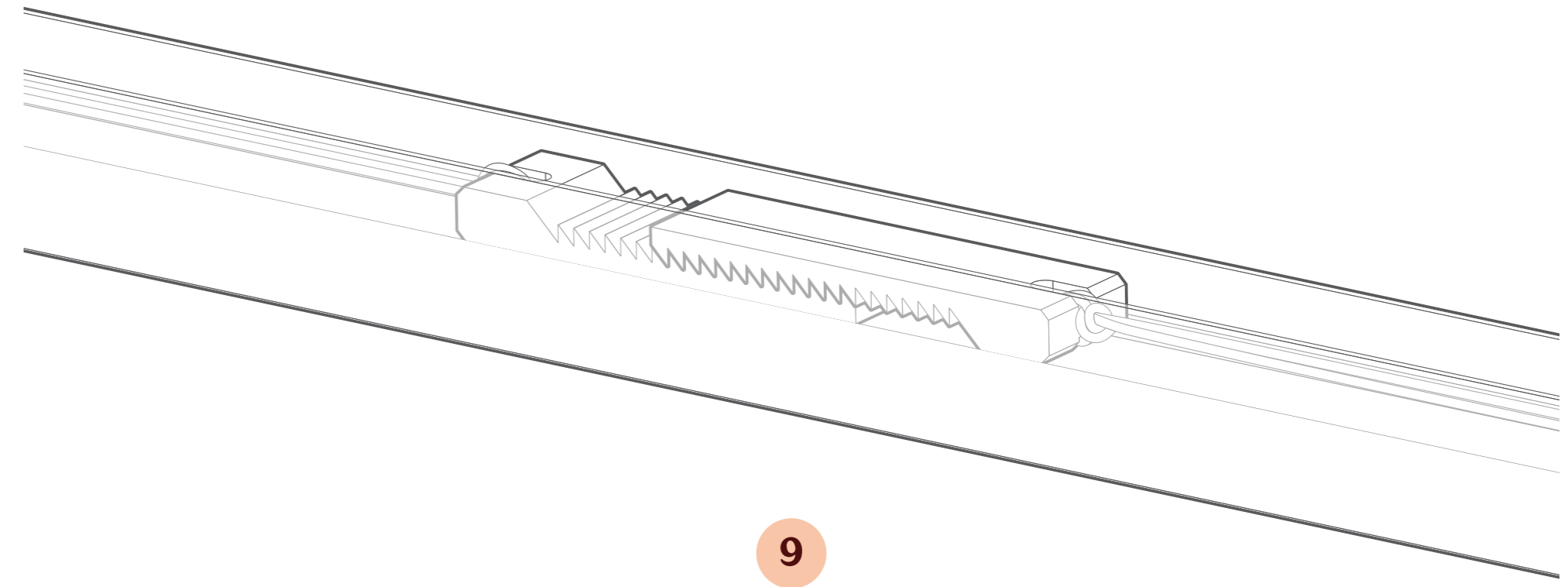


Repeat with the other side frame (7).

Section 2 *Assembling the Blind*

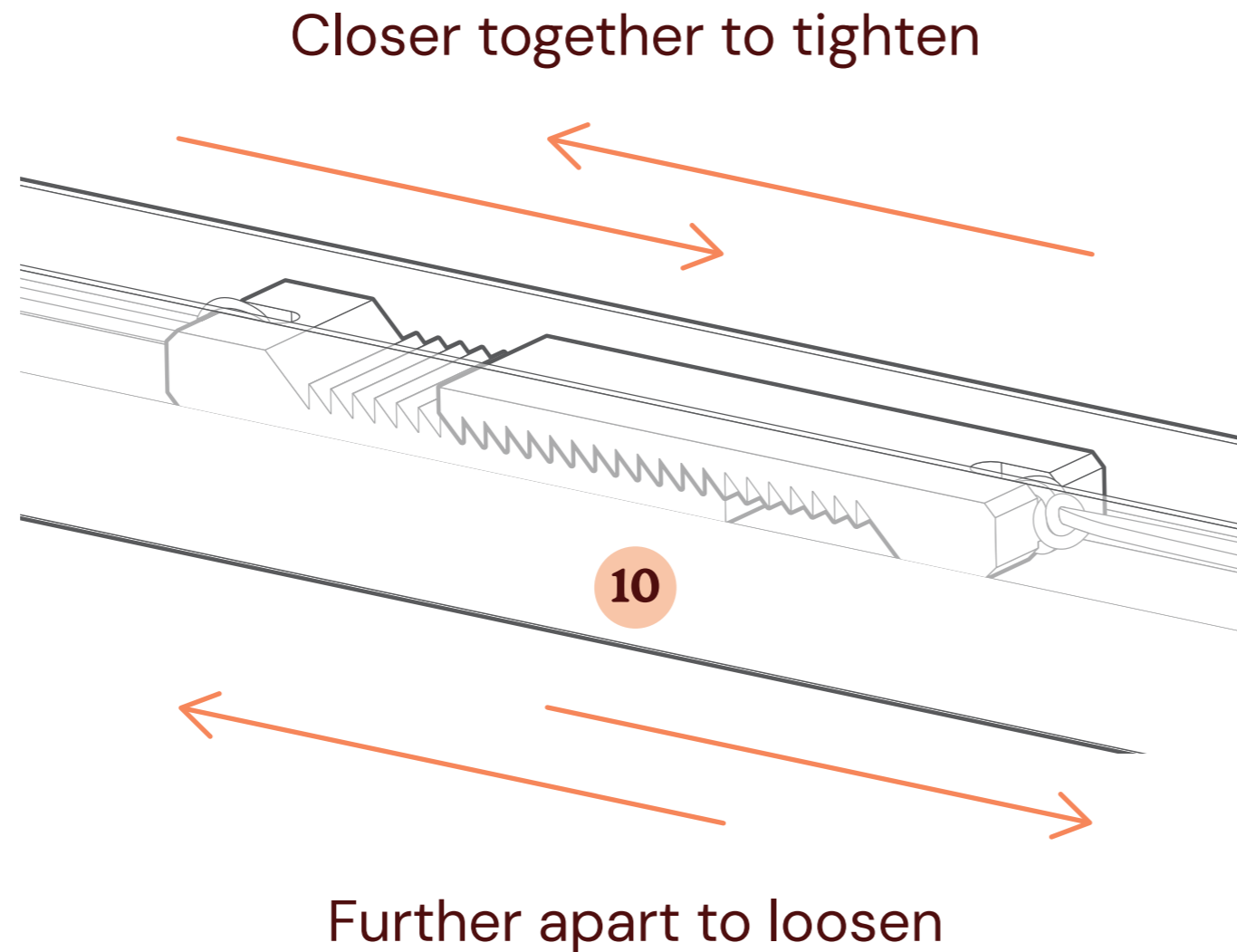
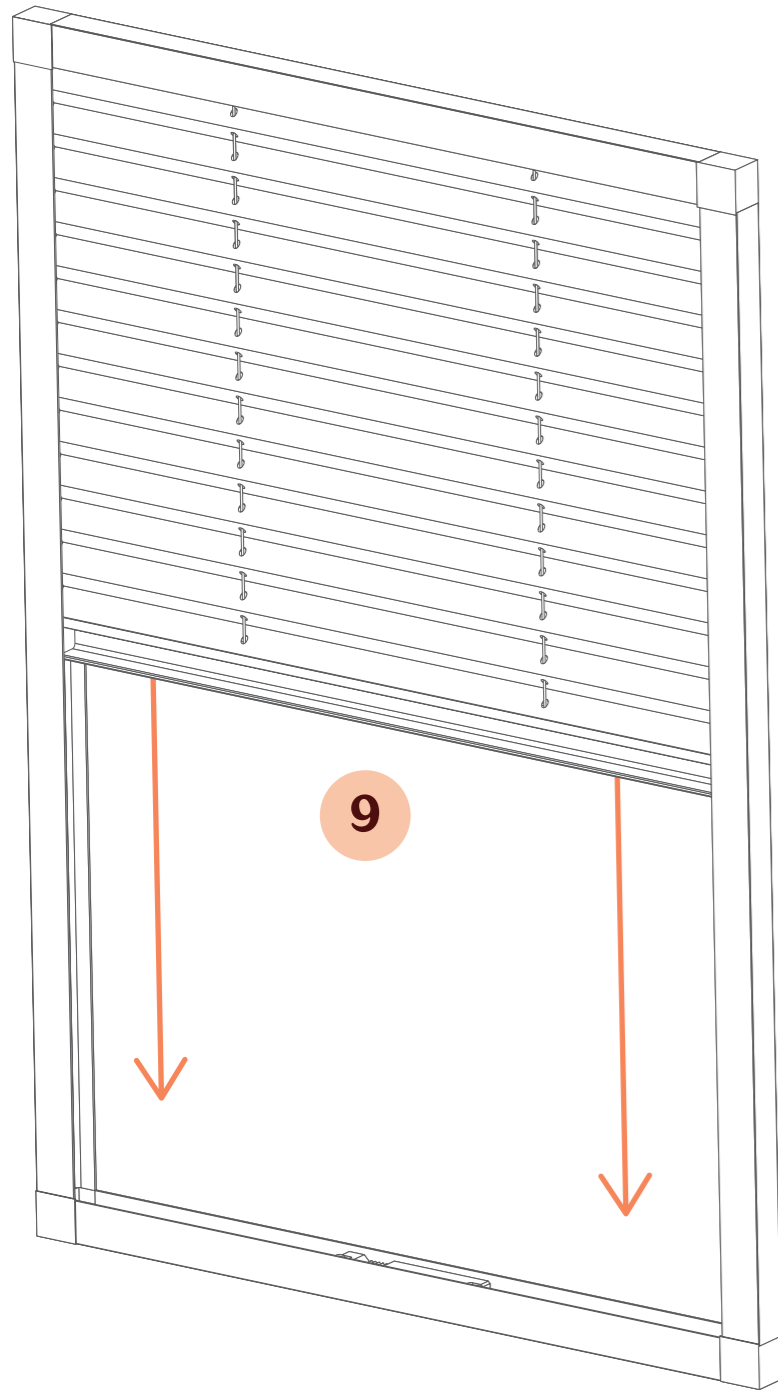


Rest the tension locks in the bottom frame's channel and pull them towards each other until they meet in the middle of the frame (8).



Pull them tightly together and lock the teeth of one into the other (9). The locks will hold steady when you let go, keeping the blind's cords under tension and holding the fully assembled blind together.

Section 2 Assembling the Blind



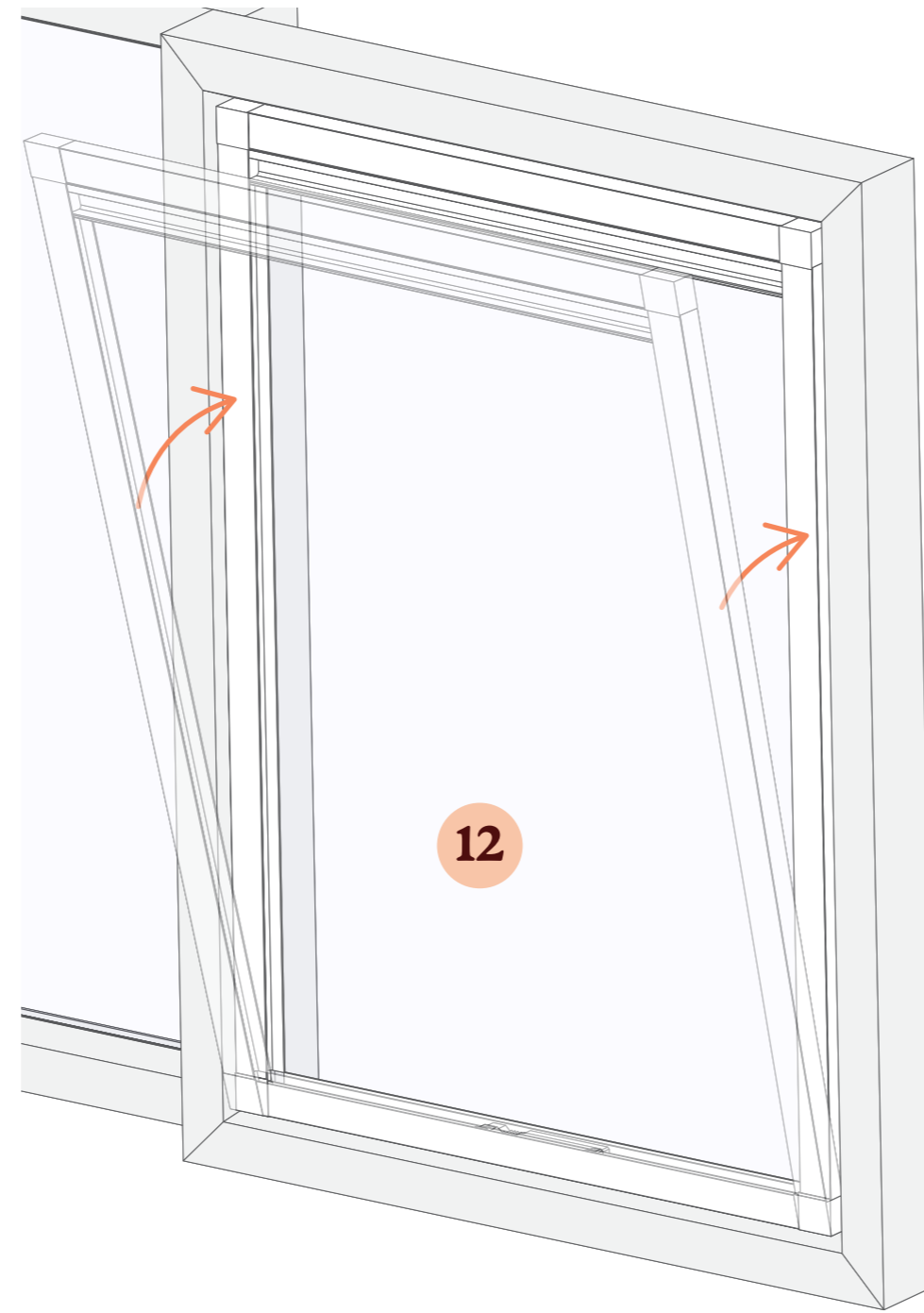
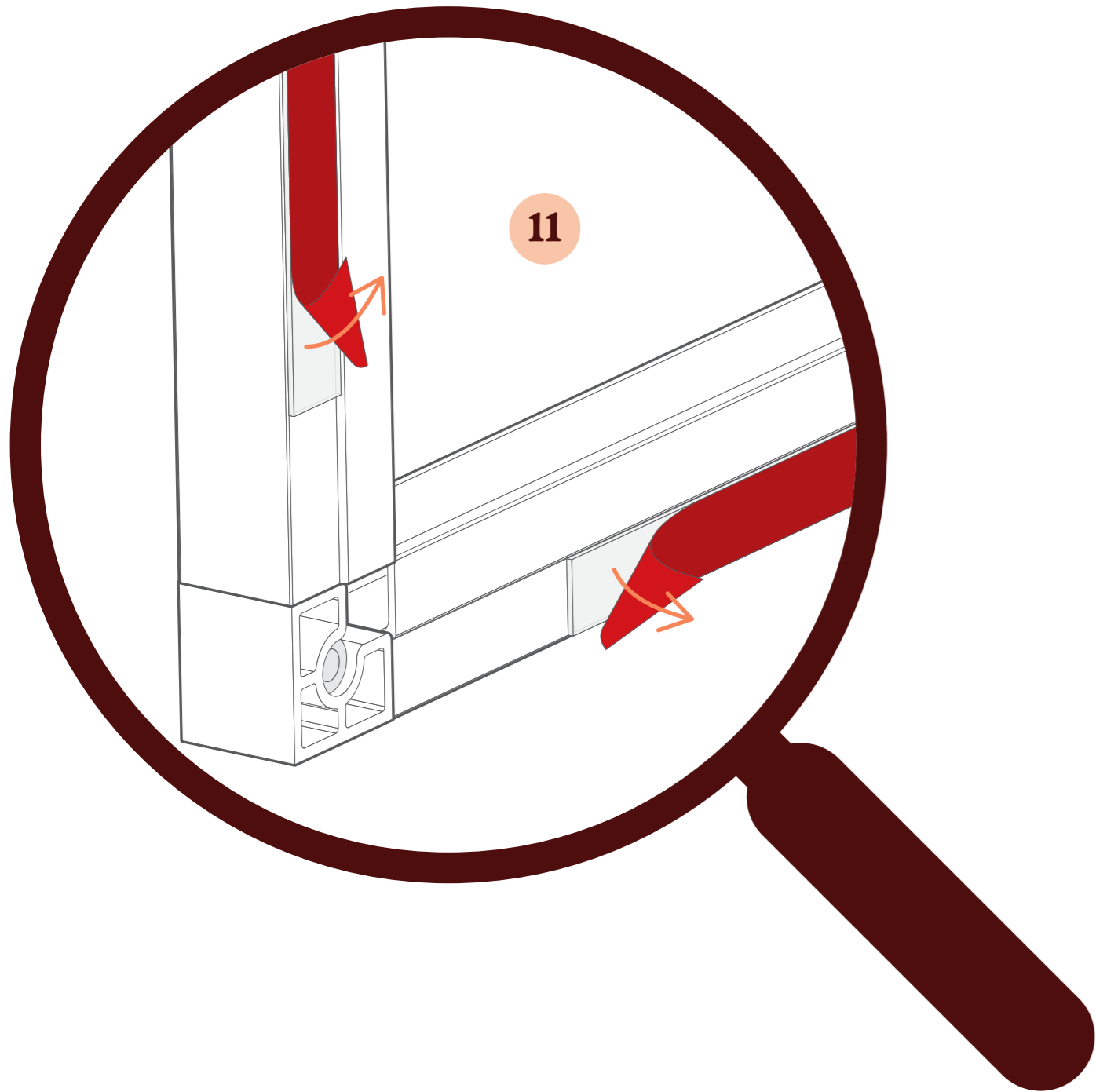
Hold the blind upright and remove the the packing wrap from around its moving part.

Pull down on the blind's bottom handle to lower it and test the cord tension (9). If it moves smoothly and holds in place when you let go of the handle, then the tension is correct and you can move past this page.

If it doesn't hold and feels loose, then you can increase the cord tension very simply by locking the tension locks more tightly together (10).

If the blind is difficult to raise and lower then you'll need to reduce the tension.

Once you're happy you can move on to the next page.



Find the adhesive pads on the back of each frame section. Peel the adhesive cover from each of the strips (11).

Rest the bottom of the blind against the bottom of your door's glass panel, making sure it's straight and lined up. Then gently press the entire blind back against the glass, holding for a few seconds until the strips adhere to the glass (12).

Now, simply repeat the process for each door panel you're attaching a blind to and just like that, your blinds are installed and ready to enjoy!