

## Turn your phone or tablet

Our guides are best viewed in landscape if you're viewing on your phone or tablet.

## Our Top Tips for Measuring

Even if you have no DIY or measuring experience, don't worry – measuring is easy! The following pages will guide you through how to measure for your beautiful new blinds, but here are some general tips to keep in mind as you measure:

- ✓ Always use a metal tape measure – cloth or plastic ones can stretch, giving you inaccurate measurements
- ✓ Double check everything! If you're even slightly unsure about a measurement you've taken, measure again until you're certain
- ✓ Measure to the nearest millimetre, or to the nearest fraction if you're measuring in inches

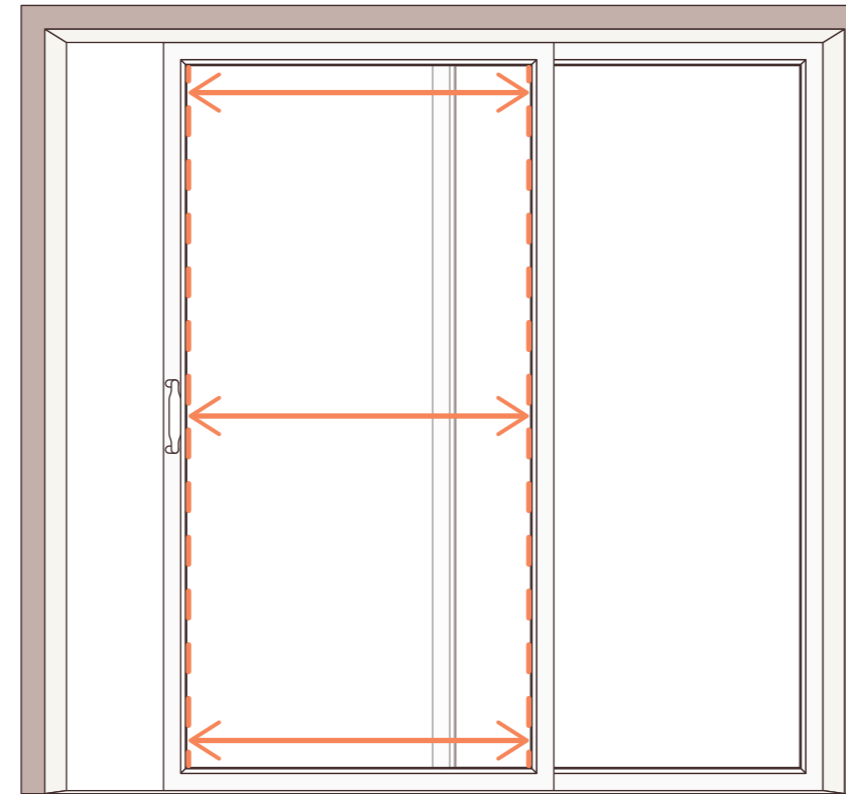


Don't worry! Even if your measurements aren't quite right, our SureSize measuring guarantee has you covered.

## Why Measure the glass?

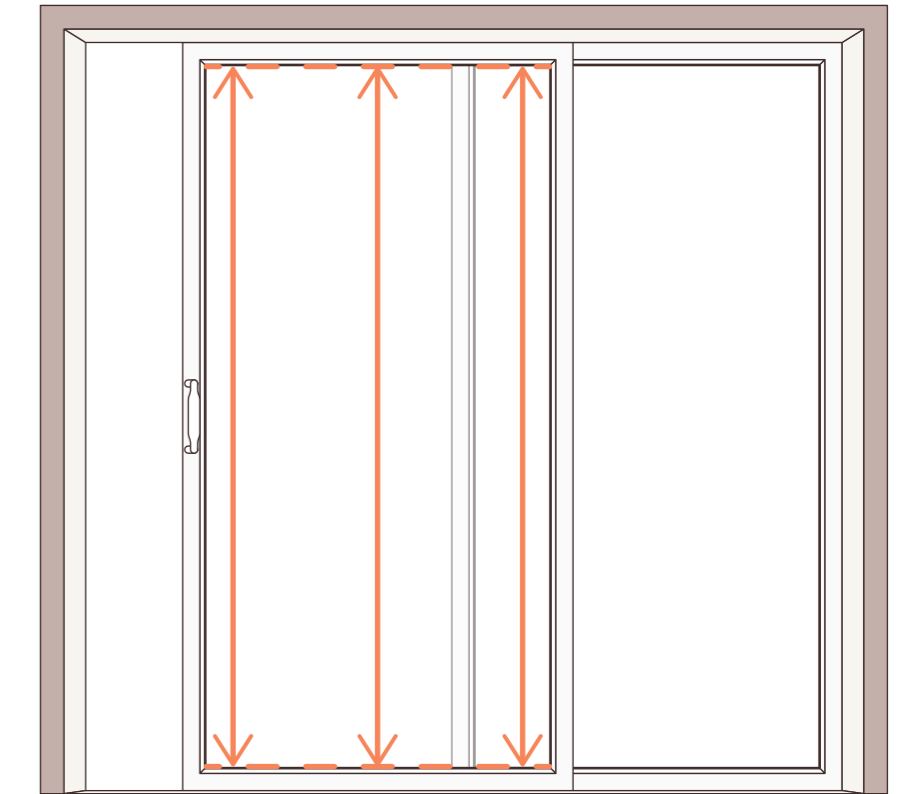
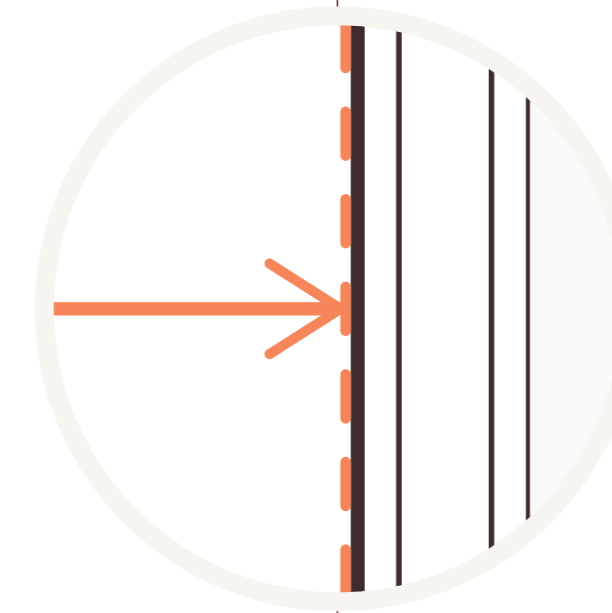
Our Sliding Door Blinds are designed to cover the glass area of your sliding doors, so all we need is the measurements of the glass to ensure your blind fits perfectly.

- ✓ Measure the glass in several places and use the smallest measurement
- ✓ Measure each pane individually, you'd be surprised how much they can vary in size even if they all look the same
- ✗ Do not include any of the rubber seal in your measurement, if it's visible
- ✗ Do not make any deductions or allowances in your measurements



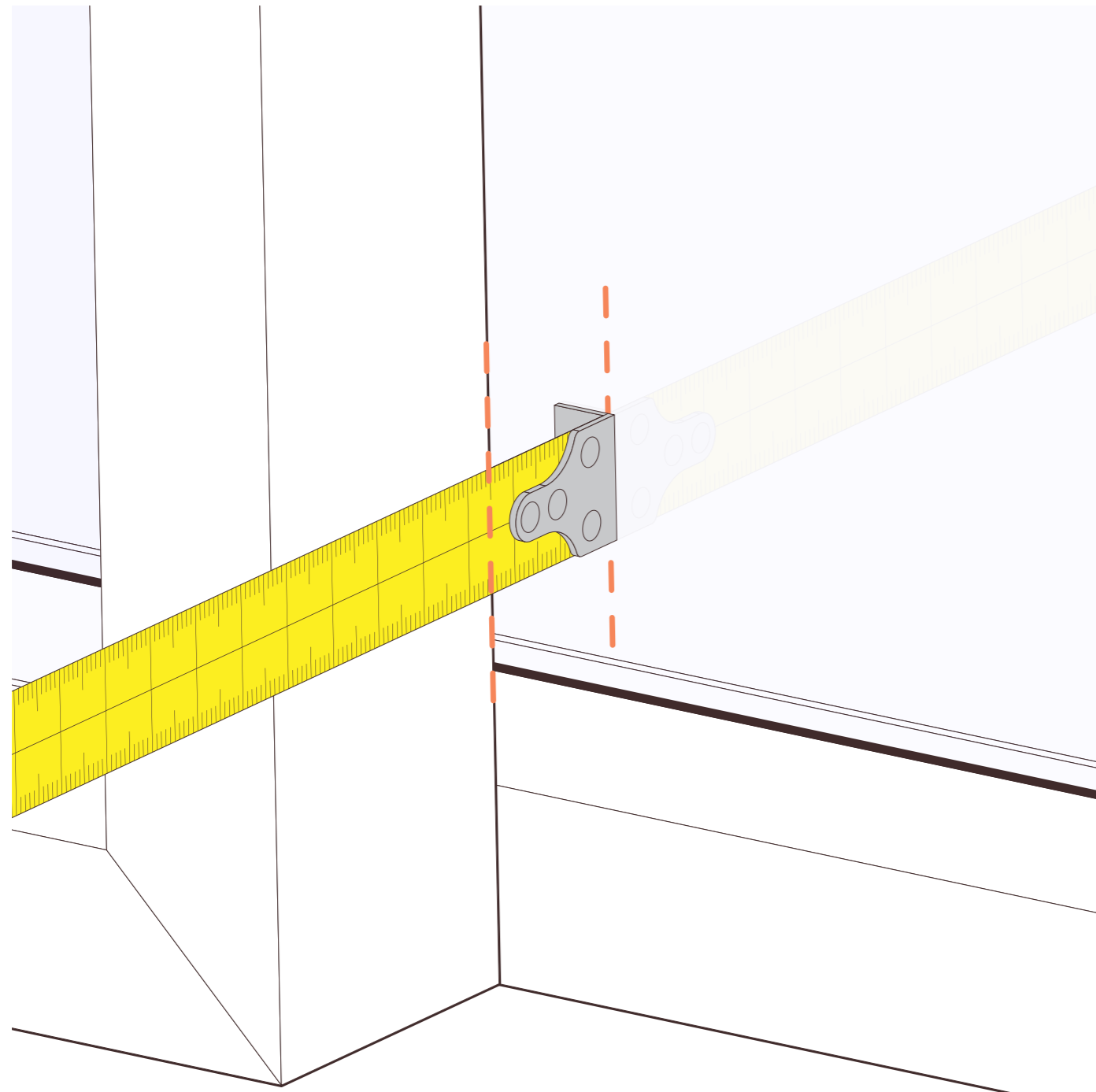
### 1 Measure the width

Measure the width of just the visible glass, not including any rubber seal that might extend into the glass area. Measure at the top, in the middle and at the bottom, and only note the smallest measurement.



### 2 Measure the drop

Measure the drop in the same way. Measure on the left, in the middle and on the right, noting down the smallest measurement.



## **i** Measure the clearance

The blind will sit directly against the glass of each door panel, which means that there must be enough clearance between the glass of the back door, and the frame of the front door, for the blind to fit.

Measure from the glass surface of the back door, to the back edge of the front door.

***This measurement must be at least 20mm in order for our blinds to fit.*** If it's less, then there is a risk of the blind catching against the back of the door as it slides.