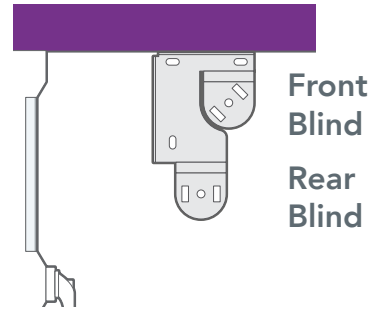


Before you begin

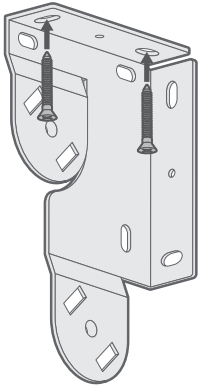
The front blind should be the one highest and closest to you, so make sure that when marking out where to put your brackets you have one round section pointing toward you and the other pointing down.



Fitting the brackets

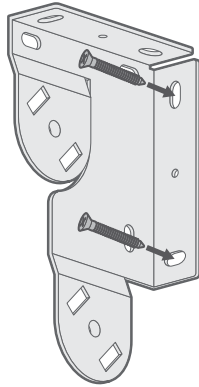
1

The brackets offer three methods of installation:



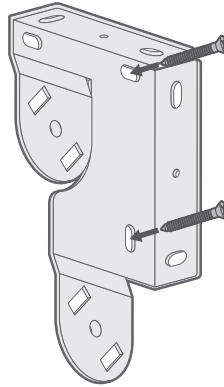
Top-Fixing

Where the brackets are screwed into the lintel (or 'ceiling' of the recess)



Face-Fixing

Where the brackets are screwed onto a facing surface (a wall or window frame)



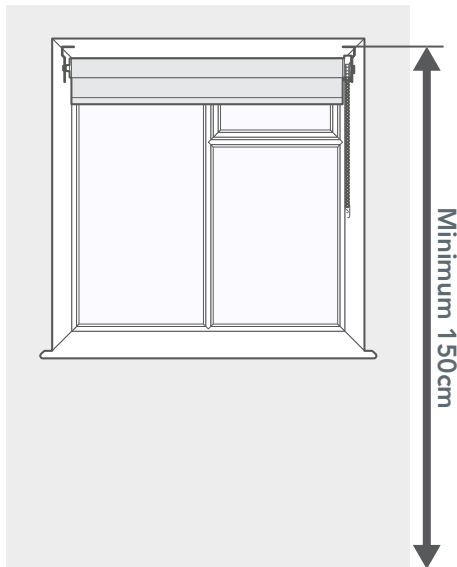
Side-Fixing

Where the brackets are screwed into the side walls of the recess

Top Tip



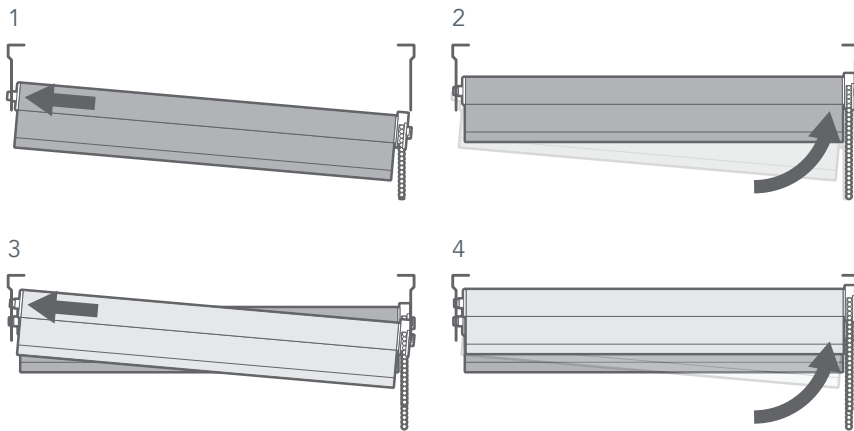
Top-fixing or face-fixing are recommended for most installations, whereas **side-fixing is only recommended if the width you gave us was taken right at the top of the recess.**



For safety reasons, always ensure that the top of the blind is installed at least 150cm (1500mm) from the floor.

Fitting the blind

2



Install the rear blind first. Begin by slotting the 'pin' end into the circular hole in the bottom part of the bracket.

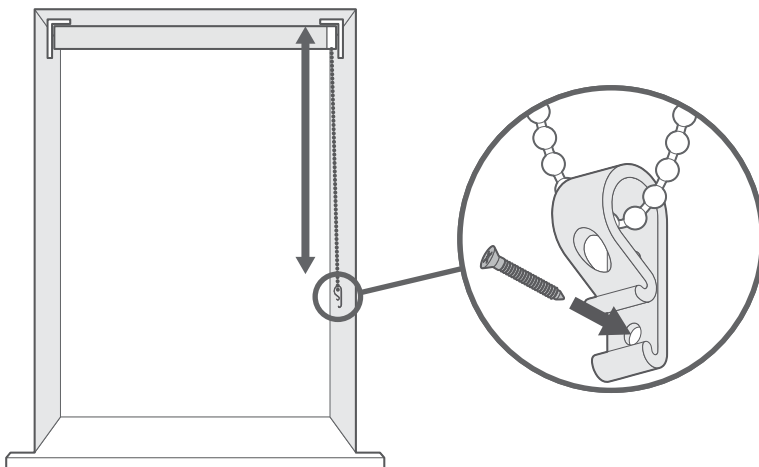
Lift the 'control' end and slot it up into the notches on its bracket, then push down on it gently to ensure it's fixed in securely.

Repeat the process for the front blind.

Cord Tensioner

Child Safety

3



The cord retaining device must be installed at the maximum distance possible from the control mechanism to prevent looped cords from becoming slack.

Place the retaining device on the wall and mark the position of the screw hole(s) with a pencil.

Attach the retaining device to the wall using the fixings provided.



Young children can be strangled by loops in pull cords, chains, tapes and inner cords that operate the product.



To avoid strangulation and entanglement, keep cords out of the reach of young children. Cords may become wrapped around a child's neck.

Move beds, cots and furniture away from window covering cords.

Do not tie cords together. Make sure cords do not twist and create a loop.